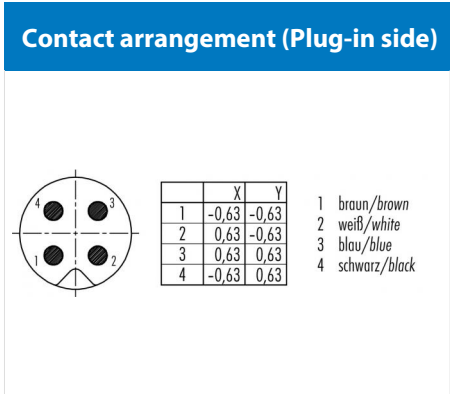
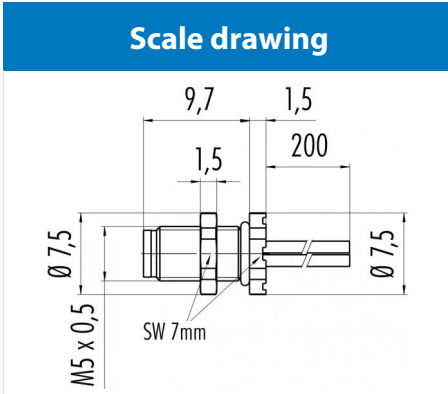
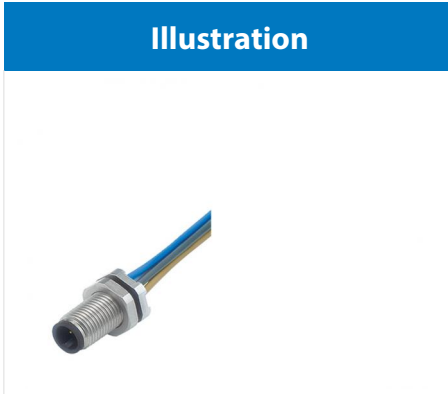


Product description	<b>M5 male panel mount connector, Contacts: 4, single wires, IP67, front mounting</b>
Area	<b>M5 series 707</b>
Order number	<b>09 3111 86 04</b>



## Technical data

### General values

Connector design	male panel mount connector
Connector locking system	screw
Termination	single wires
Wire gauge (mm)	0.14 mm <sup>2</sup>
Wire gauge (AWG)	AWG 26
Upper limit temperature	80 °C
Lower limit temperature	-25 °C
Customs tariff number	85369010

### Electrical values

Rated current (40 °C)	1 A
Rated voltage	60 V
Rated impulse voltage	800 V
Pollution degree	3
Overvoltage category	II
Insulating material group	I
Insulation resistance	> 10 <sup>8</sup> Ω
Degree of protection	IP67
Mechanical operation	> 100 Mating cycles

### Material

Contact material	CuZn (brass)
Contact plating	Au (gold)
Contact body material	PA
REACH SVHC	CAS 7439-92-1 (Lead)

Product description	<b>M5 male panel mount connector, Contacts: 4, single wires, IP67, front mounting</b>
Area	<b>M5 series 707</b>
Order number	<b>09 3111 86 04</b>

## Security notices

The connectors have been developed for applications in plant engineering, control and electrical equipment construction. The user is responsible for checking whether the connectors can also be used in other areas of application.

Plug connectors with enclosure protection IP 67 and IP 68 are not suitable for use under water. When used outdoors, the plug connectors must be protected separately against corrosion. For further information on the IP protection classes, please refer to the "Technical Information" download centre.