

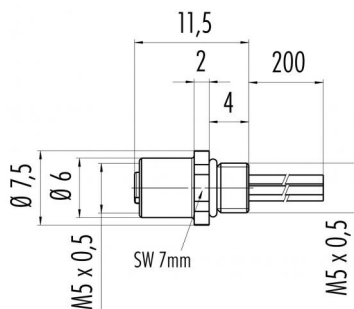
Product description **M5 female panel mount connector, Contacts: 3, unshielded, single wires, IP67**

Area **M5 series 707**
Order number **09 3106 00 03**

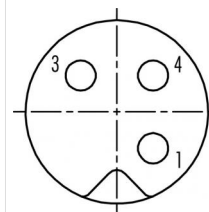
Illustration



Scale drawing



Contact arrangement (Plug-in side)



- 1 brown
- 2 not assembled
- 3 blue
- 4 black

You can find the assembly instructions on the next page.

Technical data

General values

Connector design	female panel mount connector
Connector locking system	screw
Termination	single wires
Wire gauge (mm)	0.14 mm ²
Wire gauge (AWG)	AWG 26
Upper limit temperature	80 °C
Lower limit temperature	-25 °C
Customs tariff number	85369010

Electrical values

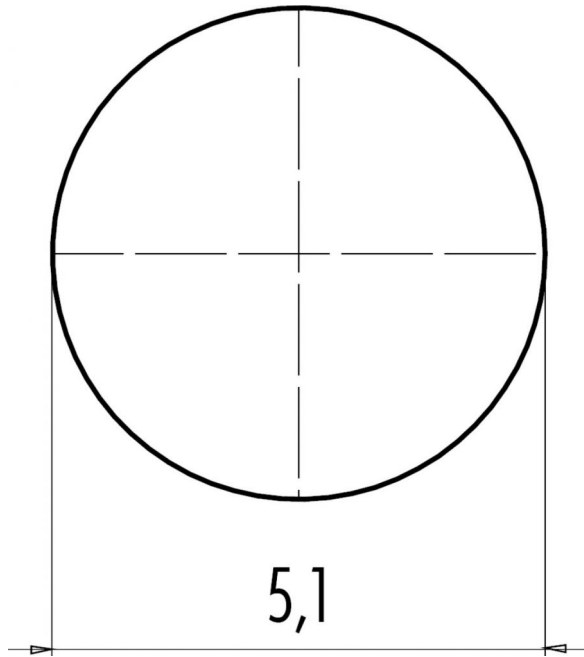
Rated current (40 °C)	1 A
Rated voltage	60 V
Rated impulse voltage	800 V
Pollution degree	3
Overvoltage category	II
Insulating material group	I
Insulation resistance	> 10 ⁸ Ω
EMC compliance	unshielded
Degree of protection	IP67
Mechanical operation	> 100 Mating cycles

Material

Contact material	CuSn (bronze)
Contact plating	Au (gold)
Contact body material	PA
REACH SVHC	CAS 7439-92-1 (Lead)

Product description	M5 female panel mount connector, Contacts: 3, unshielded, single wires, IP67
Area	M5 series 707
Order number	09 3106 00 03

Assembly instructions / Panel cut-out



Product description	M5 female panel mount connector, Contacts: 3, unshielded, single wires, IP67
Area	M5 series 707
Order number	09 3106 00 03

Security notices

The connectors have been developed for applications in plant engineering, control and electrical equipment construction. The user is responsible for checking whether the connectors can also be used in other areas of application.

Plug connectors with enclosure protection IP 67 and IP 68 are not suitable for use under water. When used outdoors, the plug connectors must be protected separately against corrosion. For further information on the IP protection classes, please refer to the "Technical Information" download centre.