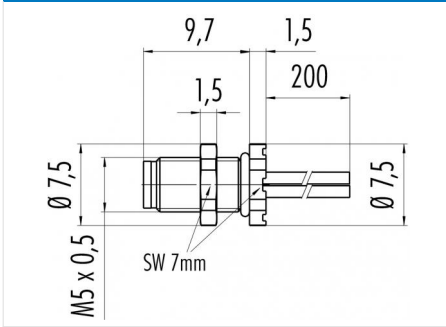


| | |
|---------------------|---|
| Product description | M5 male panel mount connector, Contacts: 3, single wires, IP67, front mounting |
| Area | M5 series 707 |
| Order number | 09 3105 86 03 |

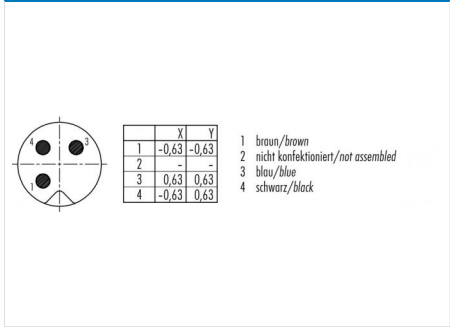
Illustration



Scale drawing



Contact arrangement (Plug-in side)



Technical data

General values

| | |
|--------------------------|----------------------------|
| Connector design | male panel mount connector |
| Connector locking system | screw |
| Termination | single wires |
| Wire gauge (mm) | 0.14 mm ² |
| Wire gauge (AWG) | AWG 26 |
| Upper limit temperature | 80 °C |
| Lower limit temperature | -25 °C |
| Customs tariff number | 85369010 |

Electrical values

| | |
|---------------------------|---------------------|
| Rated current (40 °C) | 1 A |
| Rated voltage | 60 V |
| Rated impulse voltage | 800 V |
| Pollution degree | 3 |
| Overvoltage category | II |
| Insulating material group | I |
| Insulation resistance | > 10 ⁸ Ω |
| Degree of protection | IP67 |
| Mechanical operation | > 100 Mating cycles |

Material

| | |
|-----------------------|----------------------|
| Contact material | CuZn (brass) |
| Contact plating | Au (gold) |
| Contact body material | PA |
| REACH SVHC | CAS 7439-92-1 (Lead) |

| | |
|---------------------|---|
| Product description | M5 male panel mount connector, Contacts: 3, single wires, IP67, front mounting |
| Area | M5 series 707 |
| Order number | 09 3105 86 03 |

Security notices

The connectors have been developed for applications in plant engineering, control and electrical equipment construction. The user is responsible for checking whether the connectors can also be used in other areas of application.

Plug connectors with enclosure protection IP 67 and IP 68 are not suitable for use under water. When used outdoors, the plug connectors must be protected separately against corrosion. For further information on the IP protection classes, please refer to the "Technical Information" download centre.