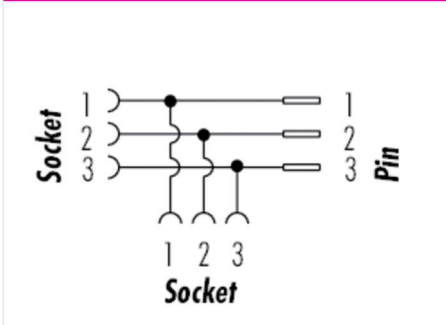


Product description	7/8" socket, Contacts: 3, unshielded, IP68, VDE
Area	7/8" series 870
Order number	09 2473 100 03

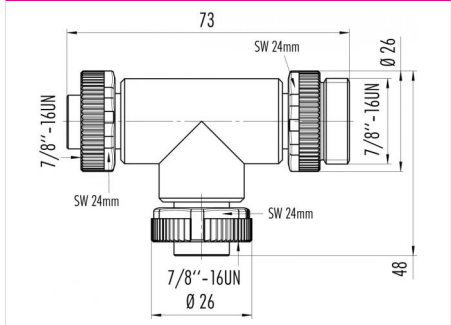
**Illustration**



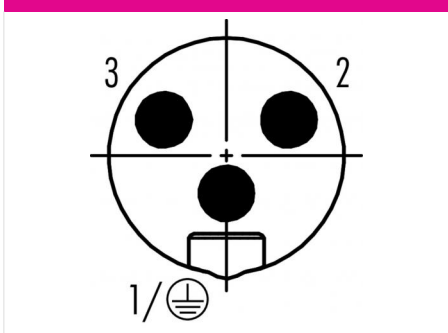
**Cable design**



**Scale drawing**



**Contact arrangement (Plug-in side)**



**Technical data**

**General values**

Connector design	socket
Connector locking system	screw
Upper limit temperature	85 °C
Lower limit temperature	-30 °C
Customs tariff number	85369010

**Electrical values**

Rated current (40 °C)	10 A
Rated voltage	300 V
Rated impulse voltage	4000 V
Pollution degree	3
Overvoltage category	II
Insulating material group	I
EMC compliance	unshielded
Degree of protection	IP68
Mechanical operation	> 100 Mating cycles

**Material**

Contact material	CuZn (brass)
Contact plating	Au (gold)
Contact body material	PUR
Housing material	Macromelt
REACH SVHC	CAS 7439-92-1 (Lead)

**authorization/approvals**

Approval 2	VDE
------------	-----



Product description	7/8" socket, Contacts: 3, unshielded, IP68, VDE
Area	7/8" series 870
Order number	09 2473 100 03

## Security notices

The connector must not be plugged or unplugged under load. Non-observance and improper use can result in personal injury.

The connectors have been developed for applications in plant engineering, control and electrical equipment construction. The user is responsible for checking whether the connectors can also be used in other areas of application.

Plug connectors with enclosure protection IP 67 and IP 68 are not suitable for use under water. When used outdoors, the plug connectors must be protected separately against corrosion. For further information on the IP protection classes, please refer to the "Technical Information" download centre. To lock the cable connector with the device connector, the threaded ring is tightened "hand-tight" (approx. 50 cNm).