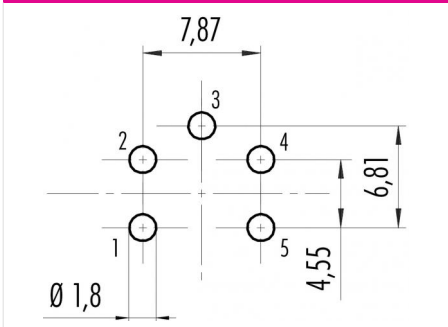


Product description	7/8" male panel mount connector, Contacts: 4+PE, unshielded, dip-solder, IP68, UL, VDE, front mounting
Area	7/8" series 820
Order number	09 2451 180 05

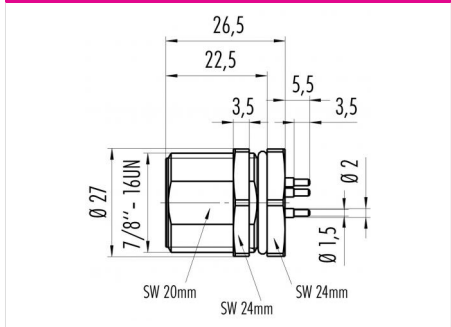
**Illustration**



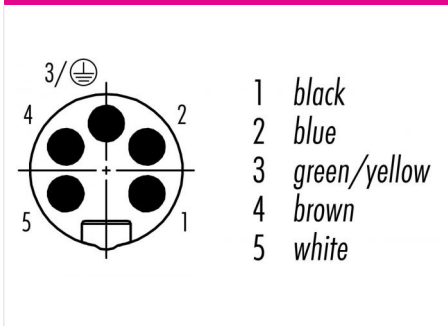
**Conductor layout**



**Scale drawing**



**Contact arrangement (Plug-in side)**



You can find the assembly instructions on the next page.

**Technical data**

**General values**

Connector design	male panel mount connector
Connector locking system	screw
Termination	dip-solder
Wire gauge (mm)	0.75 mm <sup>2</sup>
Wire gauge (AWG)	AWG 18
Upper limit temperature	85 °C
Lower limit temperature	-25 °C
Customs tariff number	85369010

**Electrical values**

Rated current (40 °C)	8 A
Rated voltage	300 (UL 600 V) V
Rated impulse voltage	4000 V
Pollution degree	3
Overvoltage category	III
Insulating material group	I
EMC compliance	unshielded
Degree of protection	IP68
Mechanical operation	> 100 Mating cycles

**Material**

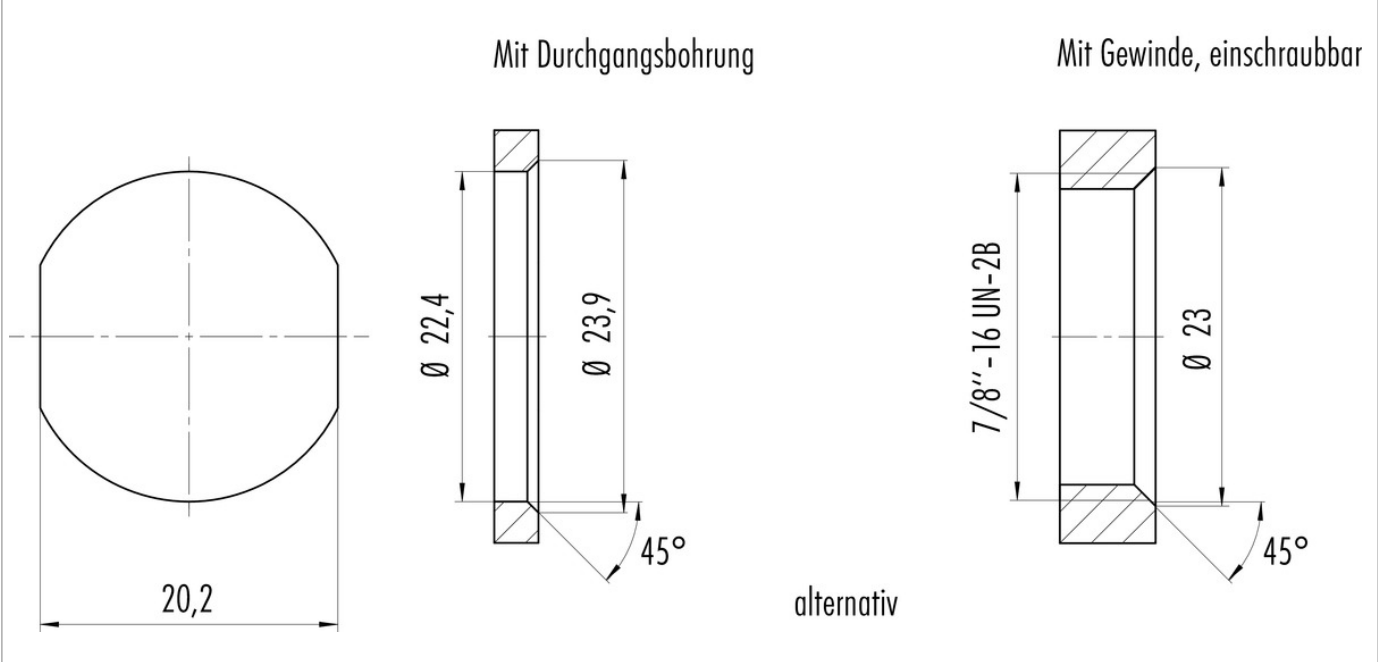
Contact material	CuZn (brass)
Contact plating	Au (gold)
Contact body material	PUR
Housing material	CuZn (Brass nickel plated)
REACH SVHC	CAS 7439-92-1 (Lead)

**authorization/approvals**

Approval 1	UL
Approval 2	VDE

Product description	7/8" male panel mount connector, Contacts: 4+PE, unshielded, dip-solder, IP68, UL, VDE, front mounting
Area	7/8" series 820
Order number	09 2451 180 05

Assembly instructions / Panel cut-out



Product description	7/8" male panel mount connector, Contacts: 4+PE, unshielded, dip-solder, IP68, UL, VDE, front mounting
Area	7/8" series 820
Order number	09 2451 180 05

## Security notices

The connector must not be plugged or unplugged under load. Non-observance and improper use can result in personal injury.

The connectors have been developed for applications in plant engineering, control and electrical equipment construction. The user is responsible for checking whether the connectors can also be used in other areas of application.

Plug connectors with enclosure protection IP 67 and IP 68 are not suitable for use under water. When used outdoors, the plug connectors must be protected separately against corrosion. For further information on the IP protection classes, please refer to the "Technical Information" download centre.