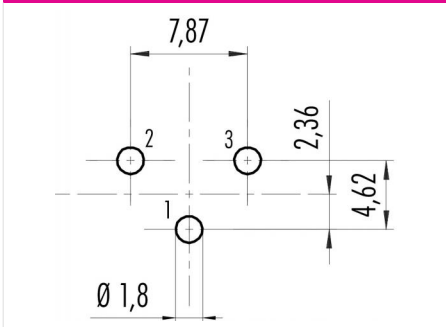


|                     |  |
|---------------------|--|
| Product description | 7/8" male panel mount connector, Contacts: 2+PE, unshielded, dip-solder, IP68, UL, VDE, front mounting |
| Area                | 7/8" series 870  |
| Order number        | 09 2447 180 03   |

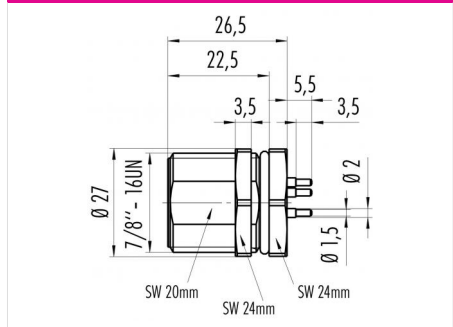
**Illustration**



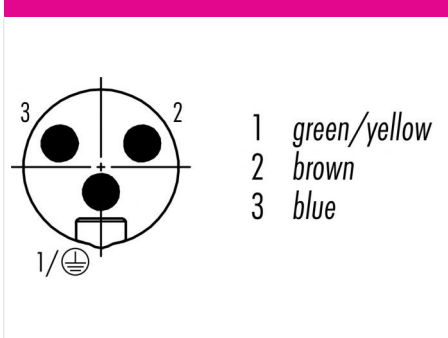
**Conductor layout**



**Scale drawing**



**Contact arrangement (Plug-in side)**



You can find the assembly instructions on the next page.

**Technical data**

**General values**

|                          |                            |
|--------------------------|----------------------------|
| Connector design         | male panel mount connector |
| Connector locking system | screw                      |
| Termination              | dip-solder                 |
| Wire gauge (mm)          | 0.75 mm <sup>2</sup>       |
| Wire gauge (AWG)         | AWG 18                     |
| Upper limit temperature  | 85 °C                      |
| Lower limit temperature  | -25 °C                     |
| Customs tariff number    | 85369010                   |

**Electrical values**

|                           |                     |
|---------------------------|---------------------|
| Rated current (40 °C)     | 10 A                |
| Rated voltage             | 300 (UL 600 V) V    |
| Rated impulse voltage     | 4000 V              |
| Pollution degree          | 3                   |
| Overvoltage category      | III                 |
| Insulating material group | I                   |
| EMC compliance            | unshielded          |
| Degree of protection      | IP68                |
| Mechanical operation      | > 100 Mating cycles |

**Material**

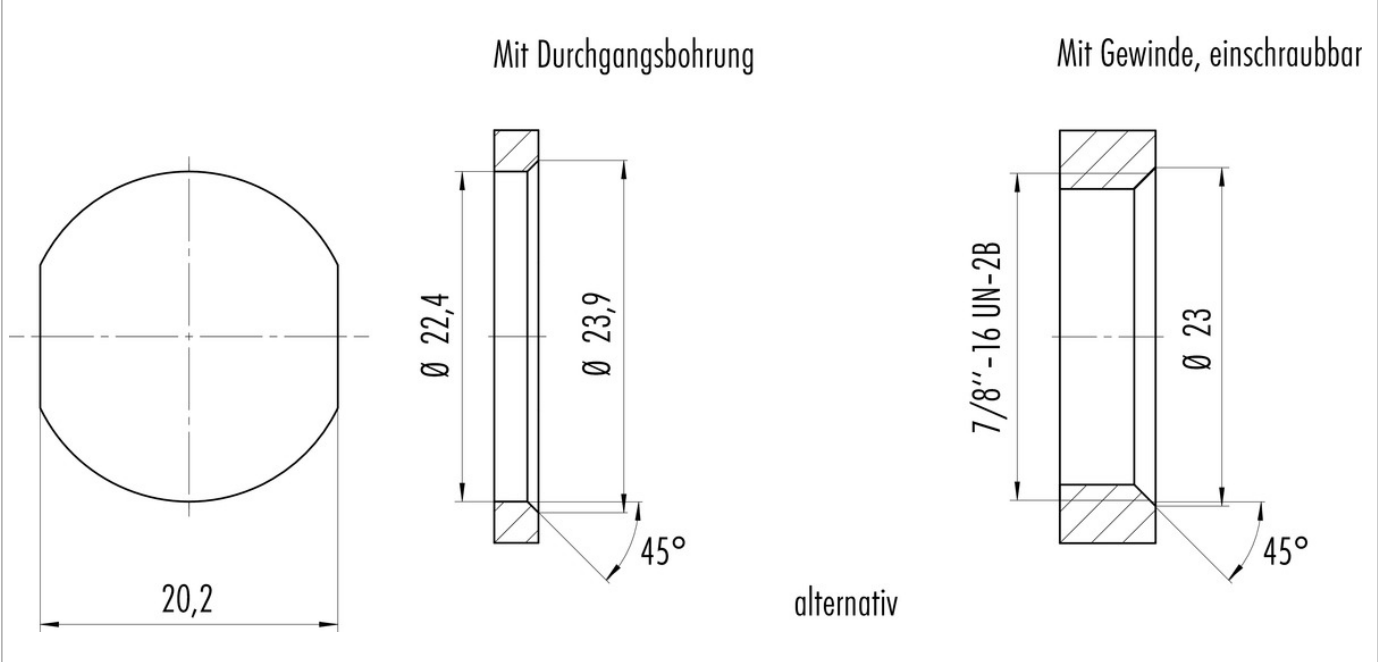
|                       |                            |
|-----------------------|----------------------------|
| Contact material      | CuZn (brass)               |
| Contact plating       | Au (gold)                  |
| Contact body material | PUR                        |
| Housing material      | CuZn (Brass nickel plated) |
| REACH SVHC            | CAS 7439-92-1 (Lead)       |

**authorization/approvals**

|            |     |
|------------|-----|
| Approval 1 | UL  |
| Approval 2 | VDE |

|                     |  |
|---------------------|--|
| Product description | 7/8" male panel mount connector, Contacts: 2+PE, unshielded, dip-solder, IP68, UL, VDE, front mounting |
| Area                | 7/8" series 870  |
| Order number        | 09 2447 180 03   |

Assembly instructions / Panel cut-out



|                     |  |
|---------------------|--|
| Product description | 7/8" male panel mount connector, Contacts: 2+PE, unshielded, dip-solder, IP68, UL, VDE, front mounting |
| Area                | 7/8" series 870  |
| Order number        | 09 2447 180 03   |

## Security notices

The connector must not be plugged or unplugged under load. Non-observance and improper use can result in personal injury.

The connectors have been developed for applications in plant engineering, control and electrical equipment construction. The user is responsible for checking whether the connectors can also be used in other areas of application.

The user must take suitable safety precautions to ensure that the connector cannot be accidentally disconnected.

Plug connectors with enclosure protection IP 67 and IP 68 are not suitable for use under water. When used outdoors, the plug connectors must be protected separately against corrosion. For further information on the IP protection classes, please refer to the "Technical Information" download centre.