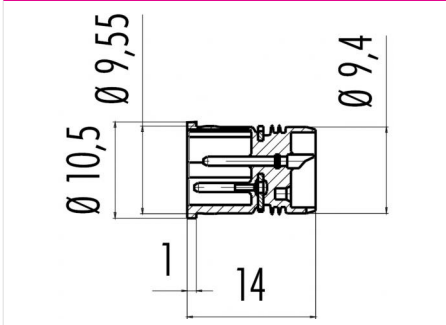


Product description	M12-US integrated plug, Contacts: 2+PE, solder, IP67, UL
Area	M12-US series 815
Order number	09 2431 09 03

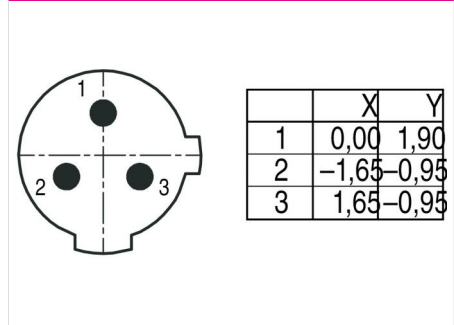
Illustration



Scale drawing



Contact arrangement (Plug-in side)



Technical data

General values

Connector design	integrated plug
Connector locking system	screw
Termination	solder
Wire gauge (mm)	0.50 mm ²
Wire gauge (AWG)	AWG 20
Upper limit temperature	85 °C
Lower limit temperature	-25 °C
Customs tariff number	85369010

Electrical values

Rated current (40 °C)	4 A
Rated voltage	250 V
Rated impulse voltage	2500 V
Pollution degree	3
Overvoltage category	II
Insulating material group	II
Insulation resistance	≥ 10 ¹⁰ Ω
Degree of protection	IP67
Mechanical operation	> 100 Mating cycles

Material

Contact material	CuZn (brass)
Contact plating	Au (gold)
Contact body material	PA
Housing material	PA
REACH SVHC	CAS 7439-92-1 (Lead)

authorization/approvals

Approval 1	UL
------------	----

Product description	M12-US integrated plug, Contacts: 2+PE, solder, IP67, UL
Area	M12-US series 815
Order number	09 2431 09 03

Security notices

The connector must not be plugged or unplugged under load. Non-observance and improper use can result in personal injury.

The connectors have been developed for applications in plant engineering, control and electrical equipment construction. The user is responsible for checking whether the connectors can also be used in other areas of application.

Plug connectors with enclosure protection IP 67 and IP 68 are not suitable for use under water. When used outdoors, the plug connectors must be protected separately against corrosion. For further information on the IP protection classes, please refer to the "Technical Information" download centre.