
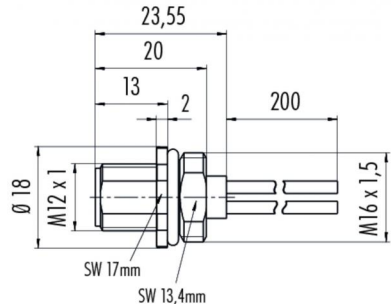
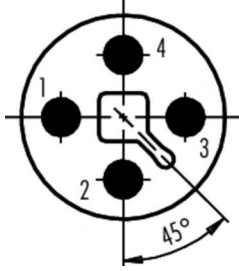


Product description	M12-T male panel mount connector, Contacts: 4, shielding is not possible, single wires, IP68, UL, VDE, M16x1.5
Area	M12-T series 813
Order number	09 0631 700 04

Illustration	Scale drawing	Contact arrangement								
		 <table style="margin-left: auto; margin-right: 0;"> <tr> <td style="width: 20px;">1</td> <td>braun</td> </tr> <tr> <td>2</td> <td>weiß</td> </tr> <tr> <td>3</td> <td>blau</td> </tr> <tr> <td>4</td> <td>schwarz</td> </tr> </table>	1	braun	2	weiß	3	blau	4	schwarz
1	braun									
2	weiß									
3	blau									
4	schwarz									

You can find the assembly instructions on the next page.

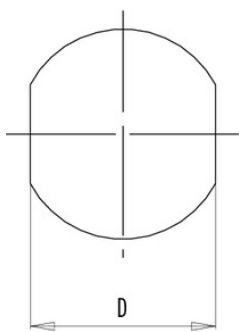
Technical data

<h3 style="color: #e91e63; margin: 0;">General values</h3> <table border="0"> <tr><td>Connector design</td><td>male panel mount connector</td></tr> <tr><td>Connector locking system</td><td>screw</td></tr> <tr><td>Termination</td><td>single wires</td></tr> <tr><td>Wire gauge (mm)</td><td>1.38 mm²</td></tr> <tr><td>Wire gauge (AWG)</td><td>16</td></tr> <tr><td>Upper limit temperature</td><td>85 °C</td></tr> <tr><td>Lower limit temperature</td><td>- 40 °C</td></tr> <tr><td>Customs tariff number</td><td>85369010</td></tr> <tr><td>Packaging Unit</td><td>5</td></tr> </table>	Connector design	male panel mount connector	Connector locking system	screw	Termination	single wires	Wire gauge (mm)	1.38 mm ²	Wire gauge (AWG)	16	Upper limit temperature	85 °C	Lower limit temperature	- 40 °C	Customs tariff number	85369010	Packaging Unit	5	<h3 style="color: #e91e63; margin: 0;">Electrical values</h3> <table border="0"> <tr><td>Rated current (40 °C)</td><td>12 A</td></tr> <tr><td>Rated voltage</td><td>63 V</td></tr> <tr><td>Rated impulse voltage</td><td>1500 V</td></tr> <tr><td>Pollution degree</td><td>3</td></tr> <tr><td>Overvoltage category</td><td>III</td></tr> <tr><td>Insulating material group</td><td>II</td></tr> <tr><td>EMC compliance</td><td>shielding is not possible</td></tr> <tr><td>Degree of protection</td><td>IP68</td></tr> <tr><td>Mechanical operation</td><td>> 100 Mating cycles</td></tr> </table>	Rated current (40 °C)	12 A	Rated voltage	63 V	Rated impulse voltage	1500 V	Pollution degree	3	Overvoltage category	III	Insulating material group	II	EMC compliance	shielding is not possible	Degree of protection	IP68	Mechanical operation	> 100 Mating cycles	
Connector design	male panel mount connector																																					
Connector locking system	screw																																					
Termination	single wires																																					
Wire gauge (mm)	1.38 mm ²																																					
Wire gauge (AWG)	16																																					
Upper limit temperature	85 °C																																					
Lower limit temperature	- 40 °C																																					
Customs tariff number	85369010																																					
Packaging Unit	5																																					
Rated current (40 °C)	12 A																																					
Rated voltage	63 V																																					
Rated impulse voltage	1500 V																																					
Pollution degree	3																																					
Overvoltage category	III																																					
Insulating material group	II																																					
EMC compliance	shielding is not possible																																					
Degree of protection	IP68																																					
Mechanical operation	> 100 Mating cycles																																					
<h3 style="color: #e91e63; margin: 0;">Cable data</h3> <table border="0"> <tr><td>Approval 1</td><td>UL</td></tr> <tr><td>Approval 2</td><td>VDE</td></tr> </table>	Approval 1	UL	Approval 2	VDE	<h3 style="color: #e91e63; margin: 0;">Material</h3> <table border="0"> <tr><td>Contact material</td><td>CuZn (brass)</td></tr> <tr><td>Contact plating</td><td>Au (gold)</td></tr> <tr><td>Contact body material</td><td>PA</td></tr> <tr><td>Housing material</td><td>Zinc die-cast nickel-plated</td></tr> </table>	Contact material	CuZn (brass)	Contact plating	Au (gold)	Contact body material	PA	Housing material	Zinc die-cast nickel-plated																									
Approval 1	UL																																					
Approval 2	VDE																																					
Contact material	CuZn (brass)																																					
Contact plating	Au (gold)																																					
Contact body material	PA																																					
Housing material	Zinc die-cast nickel-plated																																					

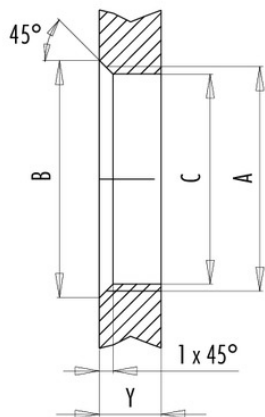
Product description **M12-T male panel mount connector, Contacts: 4, shielding is not possible, single wires, IP68, UL, VDE, M16x1.5**
 Area **M12-T series 813**
 Order number **09 0631 700 04**

Assembly instructions / Panel cut-out

Mit Fläche als Verdrehschutz



Mit Durchgangsbohrung



Einbaurichtung: O-Ring sitzt an Fase.

Gewinde	Maße			Anzugsdrehmoment	
	B (mm)	C (mm)	D (mm)	Metallgehäuse/ Positioniermutter	Kunststoffgehäuse/ Positioniermutter
M16 x 1,5	17,0	16,1	13,5	1,25 Nm	1,25 Nm
M20 x 1,5	21,0	20,1	–	2 Nm	1,25 Nm

Gehäusewandstärke Y (mm)		
Ausführung	min (mm)	max (mm)
Hinterwandmontage	2	3,5
Von vorne verschraubbar	2	4,5
Schraubklemmanschluss	2	3,5

Product description	M12-T male panel mount connector, Contacts: 4, shielding is not possible, single wires, IP68, UL, VDE, M16x1.5
Area	M12-T series 813
Order number	09 0631 700 04

Security notices

The connectors are designed for use in plant, control system and electrical equipment. The end user is responsible for checking whether the connectors are suitable for use in other applications.

Connectors with degree of protection IP 67 and IP 68 are not suitable for use under water. When used outdoors, the connectors must be separately protected against corrosion. For further information about IP degrees of protection refer to 'Technical support' in the Download Centre.