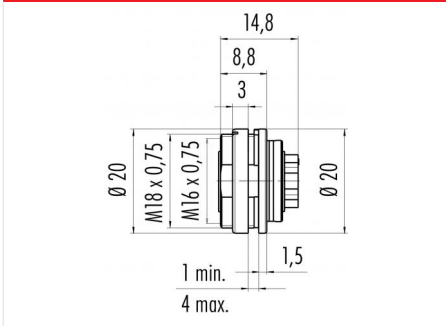


Product description	M16 IP40 female panel mount connector, Contacts: 8 DIN, unshielded, crimp (Crimp contacts must be ordered separately), IP40, front mounting
Area	M16 IP40 series 680
Order number	09 0474 780 08

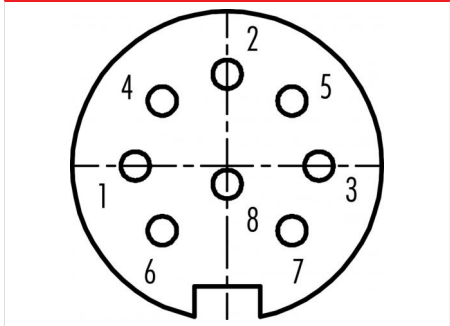
Illustration



Scale drawing



Contact arrangement (Plug-in side)



You can find the assembly instructions on the next page.

Technical data

General values

Connector design	female panel mount connector
Connector locking system	screw
Termination	crimp (Crimp contacts must be ordered separately)
Wire gauge (mm)	see crimp contacts under accessories
Upper limit temperature	85 °C
Lower limit temperature	-40 °C
Customs tariff number	85369010

Electrical values

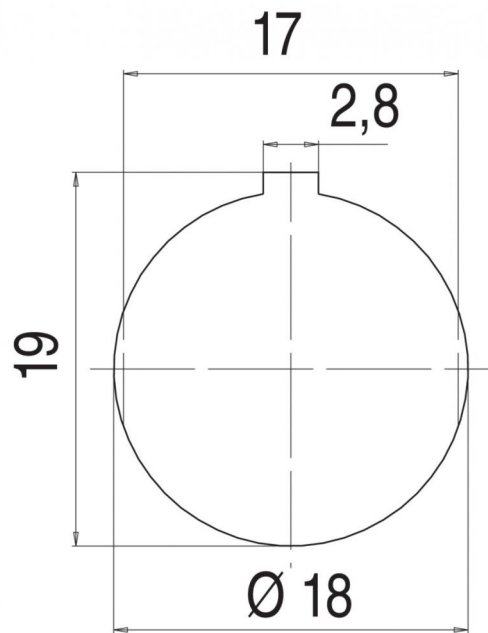
Rated current (40 °C)	5 A
Rated voltage	60 V
Rated impulse voltage	500 V
Pollution degree	1
Overvoltage category	I
Insulating material group	III
Insulation resistance	≥ 10 ¹⁰ Ω
EMC compliance	unshielded
Degree of protection	IP40
Mechanical operation	> 500 Mating cycles

Material

Contact material	depending on crimp contact (accessory)
Contact body material	PBT (UL94 V-0)
REACH SVHC	CAS 7439-92-1 (Lead)

Product description	M16 IP40 female panel mount connector, Contacts: 8 DIN, unshielded, crimp (Crimp contacts must be ordered separately), IP40, front mounting
Area	M16 IP40 series 680
Order number	09 0474 780 08

Assembly instructions / Panel cut-out



Product description	M16 IP40 female panel mount connector, Contacts: 8 DIN, unshielded, crimp (Crimp contacts must be ordered separately), IP40, front mounting
Area	M16 IP40 series 680
Order number	09 0474 780 08

Security notices

The connectors have been developed for applications in plant engineering, control and electrical equipment construction. The user is responsible for checking whether the connectors can also be used in other areas of application.