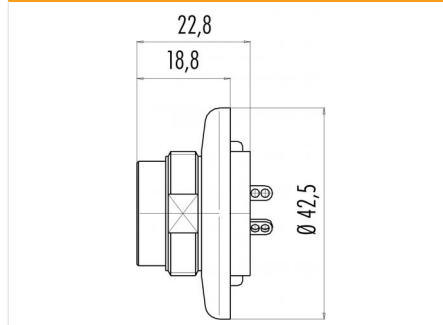


Product description **M25 male panel mount connector, Contacts: 12, solder, IP40**
Area **M25 series 691**
Order number **09 0447 00 12**

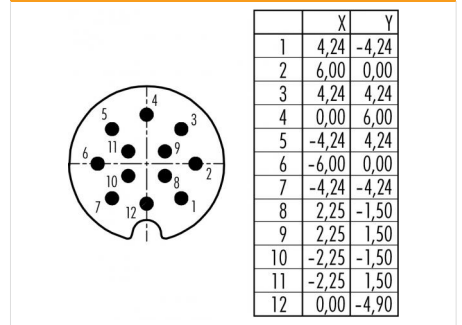
Illustration



Scale drawing



Contact arrangement (Plug-in side)



Technical data

General values

Connector design male panel mount connector
Connector locking system screw
Termination solder
Wire gauge (mm) 0.75 mm²
Wire gauge (AWG) AWG 18
Upper limit temperature 85 °C
Lower limit temperature -40 °C
Customs tariff number 85369010

Electrical values

Rated current (40 °C) 5 A
Rated voltage 125 V
Rated impulse voltage 1500 V
Pollution degree 1
Overvoltage category II
Insulating material group III
Insulation resistance $\geq 10^{10} \Omega$
Degree of protection IP40
Mechanical operation > 50 Mating cycles

Material

Contact material CuZn (brass)
Contact plating CuSnZn (Optalloy)
Contact body material PET (UL94 V-0)
Housing material GD-AL eloxiert
REACH SVHC CAS 7439-92-1 (Lead)

Product description **M25 male panel mount connector, Contacts: 12, solder, IP40**

Area **M25 series 691**

Order number **09 0447 00 12**

Security notices

The connector must not be plugged or unplugged under load. Non-observance and improper use can result in personal injury.

The connectors have been developed for applications in plant engineering, control and electrical equipment construction. The user is responsible for checking whether the connectors can also be used in other areas of application.

To protect against unintentional opening of the connector, the thread between the housing and the connector head must be secured with a suitable cyanoacrylate adhesive when used in circuits with voltages dangerous to the touch. This does not apply to connectors used in SELV and PELV circuits according to IEC 61140 (EN 61140, VDE 0140-1).