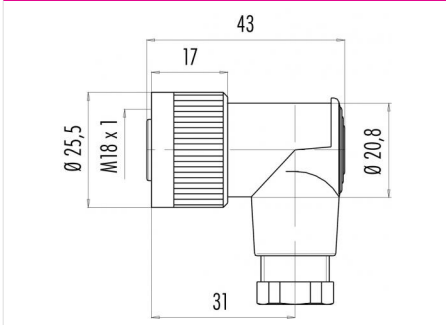


Product description	M18 female angled connector, Contacts: 4, 6.5 - 8.0 mm, unshielded, screw clamp, IP67
Area	M18 series 714
Order number	09 0440 00 04

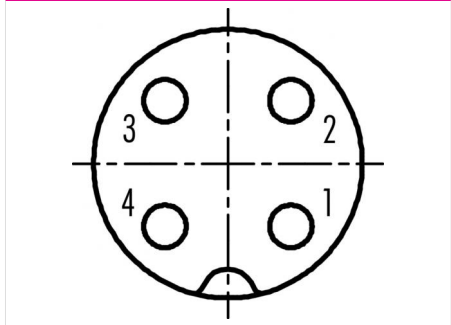
Illustration



Scale drawing



Contact arrangement (Plug-in side)



You can find the component part drawing and assembly instructions on the next page.

Technical data

General values

Connector design	female angled connector
Connector locking system	screw
Termination	screw clamp
Wire gauge (mm)	1.50 mm ²
Wire gauge (AWG)	AWG 16
Cable outlet	6.5 - 8.0 mm
Upper limit temperature	85 °C
Lower limit temperature	-25 °C
Customs tariff number	85369010

Electrical values

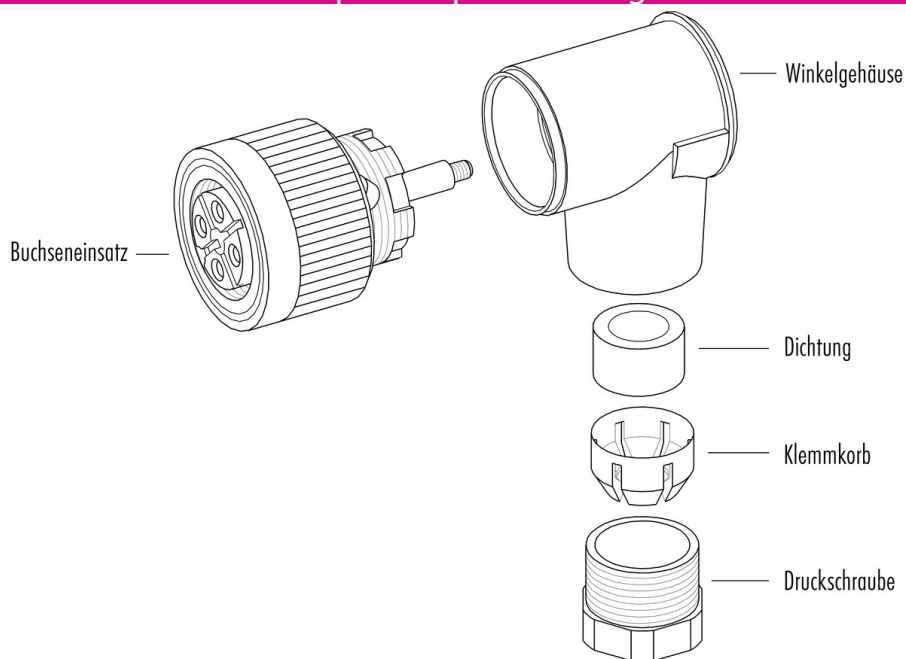
Rated current (40 °C)	16 A / cUR 5 A
Rated voltage	250 V
Rated impulse voltage	4000 V
Pollution degree	3
Overvoltage category	III
Insulating material group	III
Insulation resistance	> 10 ⁸ Ω
EMC compliance	unshielded
Degree of protection	IP67
Mechanical operation	> 50 Mating cycles

Material

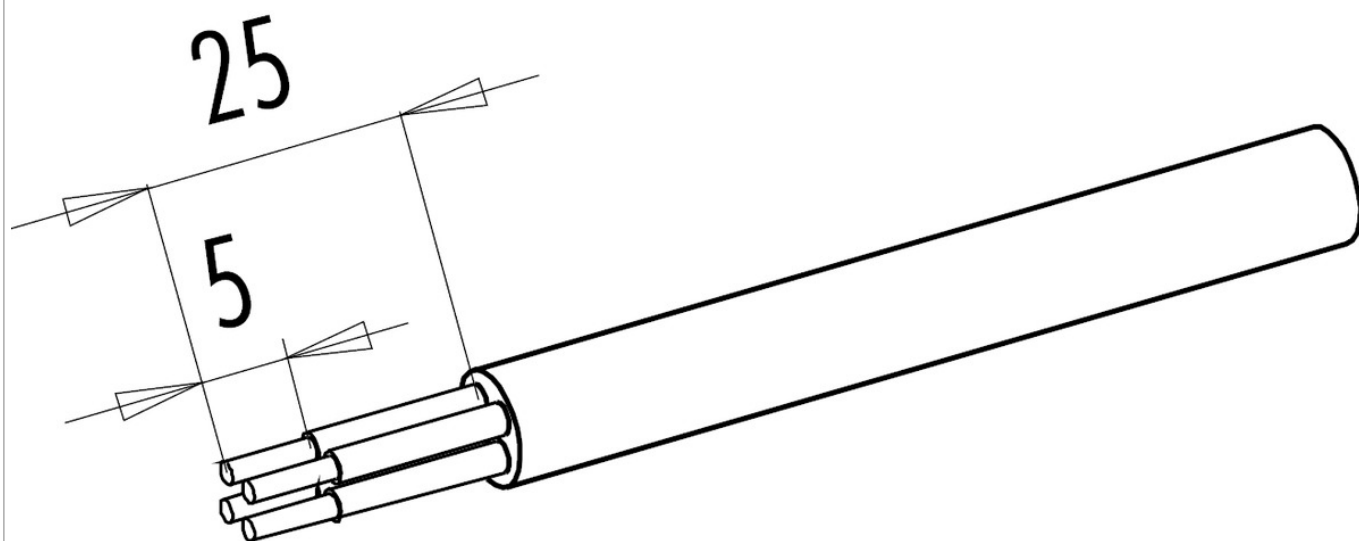
Contact material	CuZn (brass)
Contact plating	CuSnZn (Optalloy)
Contact body material	PA (UL94 V-0) / PBT (UL94 V-0)
Housing material	PBT/PA
Locking material	PA
REACH SVHC	CAS 7439-92-1 (Lead)

Product description	M18 female angled connector, Contacts: 4, 6.5 - 8.0 mm, unshielded, screw clamp, IP67
Area	M18 series 714
Order number	09 0440 00 04

Component part drawing



Assembly instructions / Panel cut-out



Product description	M18 female angled connector, Contacts: 4, 6.5 - 8.0 mm, unshielded, screw clamp, IP67
Area	M18 series 714
Order number	09 0440 00 04

Security notices

The connector must not be plugged or unplugged under load. Non-observance and improper use can result in personal injury.

The connectors have been developed for applications in plant engineering, control and electrical equipment construction. The user is responsible for checking whether the connectors can also be used in other areas of application.

To protect against unintentional opening of the connector, the thread between the housing and the connector head must be secured with a suitable cyanoacrylate adhesive when used in circuits with voltages dangerous to the touch. This does not apply to connectors used in SELV and PELV circuits according to IEC 61140 (EN 61140, VDE 0140-1).

Connectors which are used in circuits with voltages dangerous to the touch may only be installed and used by, or under the supervision of, persons with electrical engineering training, taking into account the applicable regulations and standards.

Plug connectors with enclosure protection IP 67 and IP 68 are not suitable for use under water. When used outdoors, the plug connectors must be protected separately against corrosion. For further information on the IP protection classes, please refer to the "Technical Information" download centre. To lock the cable connector with the device connector, the threaded ring is tightened "hand-tight" (approx. 50 cNm).