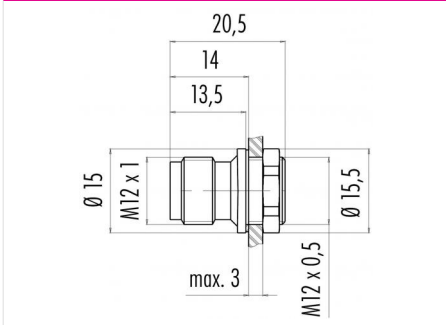


Product description	M12-B male panel mount connector, Contacts: 4, solder, IP67, M12x0.5
Area	M12-B series 766
Order number	09 0431 90 04

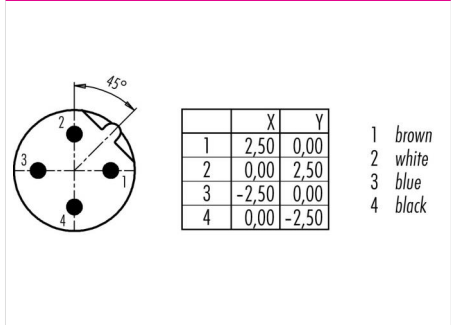
Illustration



Scale drawing



Contact arrangement (Plug-in side)



You can find the assembly instructions on the next page.

Technical data

General values

Connector design	male panel mount connector
Connector locking system	screw
Termination	solder
Wire gauge (mm)	0.25 mm ²
Wire gauge (AWG)	AWG 24
Upper limit temperature	85 °C
Lower limit temperature	-40 °C
Customs tariff number	85369010

Electrical values

Rated current (40 °C)	4 A
Rated voltage	250 V
Rated impulse voltage	2500 V
Pollution degree	3
Overvoltage category	II
Insulating material group	II
Insulation resistance	> 10 ⁸ Ω
Degree of protection	IP67
Mechanical operation	> 100 Mating cycles

Material

Contact material	CuZn (brass)
Contact plating	Au (gold)
Contact body material	PA
Housing material	PA
REACH SVHC	CAS 7439-92-1 (Lead)

Product description	M12-B male panel mount connector, Contacts: 4, solder, IP67, M12x0.5
Area	M12-B series 766
Order number	09 0431 90 04

Assembly instructions / Panel cut-out

Mit Fläche als Verdrehschutz
With flats as anti-rotation device

PG 9/M16 x 1,5/M20 x 1,5

D

Mit Durchgangsbohrung
With bore hole

C

1 x 45°

Mit Gewinde, einschraubbar
With thread to screw in

45°

B

A

alternativ/alternativ

	A	B	C	D
PG 9	PG 9	16,2	15,3	13,5
PG 13,5	PG 13,5	21,5	20,5	–
M16x1,5	M16x1,5	17,0	16,1	13,5
M20x1,5	M20x1,5	21,0	20,1	–

Anzugsdrehmoment/Tightening torque

Metallgehäuse/Metal housing	6,25 Nm
Kunststoffgehäuse/Plastic housing	3,75 Nm

Product description	M12-B male panel mount connector, Contacts: 4, solder, IP67, M12x0.5
Area	M12-B series 766
Order number	09 0431 90 04

Security notices

The connector must not be plugged or unplugged under load. Non-observance and improper use can result in personal injury.

The connectors have been developed for applications in plant engineering, control and electrical equipment construction. The user is responsible for checking whether the connectors can also be used in other areas of application.

Plug connectors with enclosure protection IP 67 and IP 68 are not suitable for use under water. When used outdoors, the plug connectors must be protected separately against corrosion. For further information on the IP protection classes, please refer to the "Technical Information" download centre.