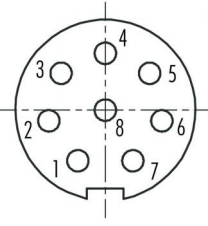


Product description	M9 IP67 female panel mount connector, Contacts: 8, shieldable, dip-solder, IP67, front mounting
Area	M9 IP67 series 712
Order number	09 0428 30 08

Illustration	Conductor layout	Scale drawing

Contact arrangement (Plug-in side)



1	weiß/white
2	braun/brown
3	grün/green
4	gelb/yellow
5	grau/grey
6	rosa/pink
7	blau/blue
8	rot/red

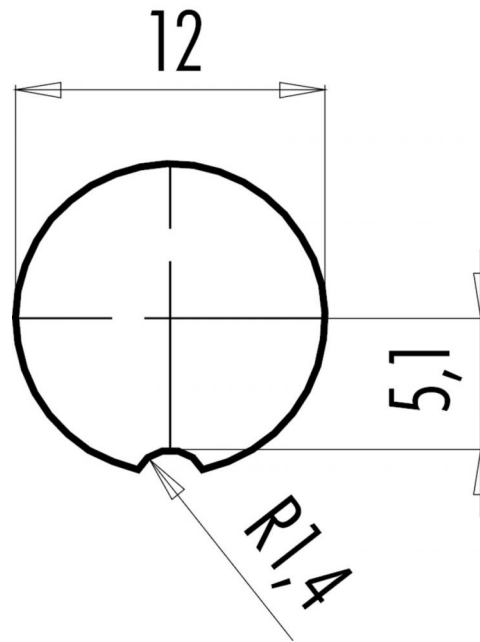
You can find the assembly instructions on the next page.

Technical data

General values		Electrical values	
Connector design	female panel mount connector	Rated current (40 °C)	1 A
Connector locking system	screw	Rated voltage	125 V
Termination	dip-solder	Rated impulse voltage	1500 V
Upper limit temperature	85 °C	Pollution degree	1
Lower limit temperature	-40 °C	Overvoltage category	II
Customs tariff number	85369010	Insulating material group	III
		Insulation resistance	≥ 10 ¹⁰ Ω
		EMC compliance	shieldable
		Degree of protection	IP67
		Mechanical operation	> 500 Mating cycles
Material			
Contact material	CuSn (bronze)	Contact plating	Au (gold)
Contact body material	PA (UL94 V-0)	REACH SVHC	CAS 7439-92-1 (Lead)

Product description	M9 IP67 female panel mount connector, Contacts: 8, shieldable, dip-solder, IP67, front mounting
Area	M9 IP67 series 712
Order number	09 0428 30 08

Assembly instructions / Panel cut-out



Product description	M9 IP67 female panel mount connector, Contacts: 8, shieldable, dip-solder, IP67, front mounting
Area	M9 IP67 series 712
Order number	09 0428 30 08

Security notices

The connector must not be plugged or unplugged under load. Non-observance and improper use can result in personal injury.

The connectors have been developed for applications in plant engineering, control and electrical equipment construction. The user is responsible for checking whether the connectors can also be used in other areas of application.

Plug connectors with enclosure protection IP 67 and IP 68 are not suitable for use under water. When used outdoors, the plug connectors must be protected separately against corrosion. For further information on the IP protection classes, please refer to the "Technical Information" download centre.