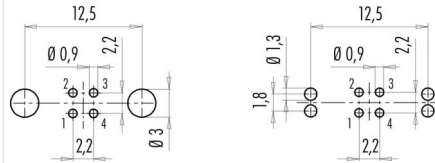


Product description **M9 IP67 female panel mount connector, Contacts: 4, shieldable, dip-solder, IP67, front mounting**  
 Area **M9 IP67 series 712**  
 Order number **09 0412 30 04**

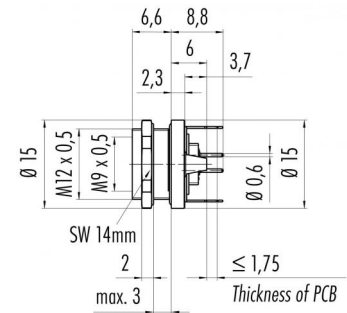
### Illustration



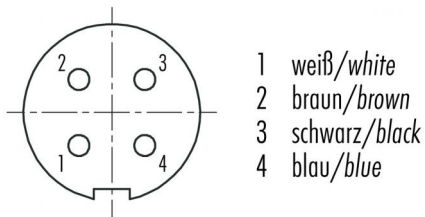
### Conductor layout



### Scale drawing



### Contact arrangement (Plug-in side)



You can find the assembly instructions on the next page.

## Technical data

### General values

Connector design female panel mount connector  
 Connector locking system screw  
 Termination dip-solder  
 Upper limit temperature 85 °C  
 Lower limit temperature -40 °C  
 Customs tariff number 85369010

### Electrical values

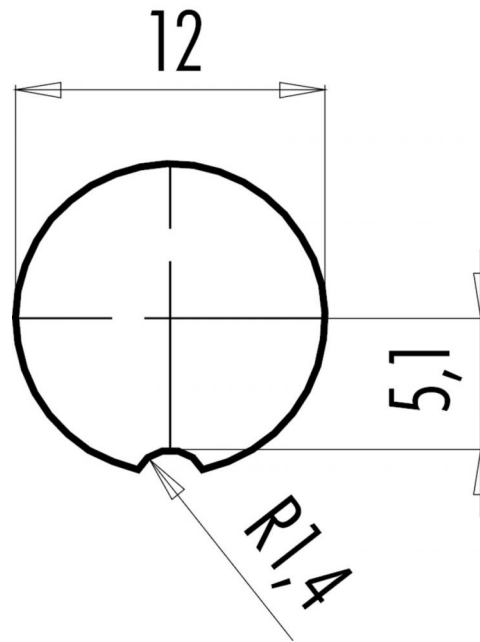
Rated current (40 °C) 3 A  
 Rated voltage 125 V  
 Rated impulse voltage 1500 V  
 Pollution degree 1  
 Overvoltage category II  
 Insulating material group III  
 Insulation resistance  $\geq 10^{10} \Omega$   
 EMC compliance shieldable  
 Degree of protection IP67  
 Mechanical operation > 500 Mating cycles

### Material

Contact material CuSn (bronze)  
 Contact plating Au (gold)  
 Contact body material PA (UL94 V-0)  
 REACH SVHC CAS 7439-92-1 (Lead)

Product description	M9 IP67 female panel mount connector, Contacts: 4, shieldable, dip-solder, IP67, front mounting
Area	M9 IP67 series 712
Order number	09 0412 30 04

### Assembly instructions / Panel cut-out



Product description	<b>M9 IP67 female panel mount connector, Contacts: 4, shieldable, dip-solder, IP67, front mounting</b>
Area	<b>M9 IP67 series 712</b>
Order number	<b>09 0412 30 04</b>

## Security notices

The connector must not be plugged or unplugged under load. Non-observance and improper use can result in personal injury.

The connectors have been developed for applications in plant engineering, control and electrical equipment construction. The user is responsible for checking whether the connectors can also be used in other areas of application.

Plug connectors with enclosure protection IP 67 and IP 68 are not suitable for use under water. When used outdoors, the plug connectors must be protected separately against corrosion. For further information on the IP protection classes, please refer to the "Technical Information" download centre.