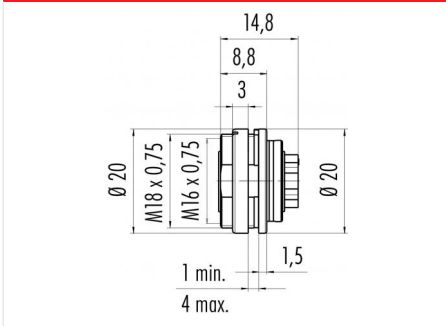


Product description	M16 IP40 female panel mount connector, Contacts: 7, unshielded, crimp (Crimp contacts must be ordered separately), IP40, front mounting
Area	M16 IP40 series 680
Order number	09 0328 780 07

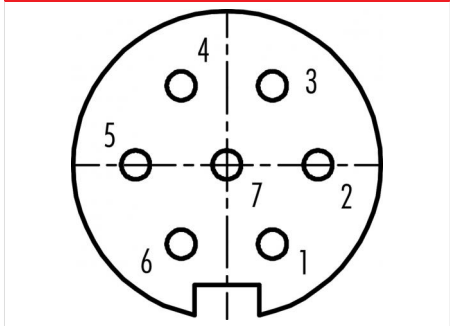
Illustration



Scale drawing



Contact arrangement (Plug-in side)



You can find the assembly instructions on the next page.

Technical data

General values

Connector design	female panel mount connector
Connector locking system	screw
Termination	crimp (Crimp contacts must be ordered separately)
Wire gauge (mm)	see crimp contacts under accessories
Upper limit temperature	85 °C
Lower limit temperature	-40 °C
Customs tariff number	85369010

Electrical values

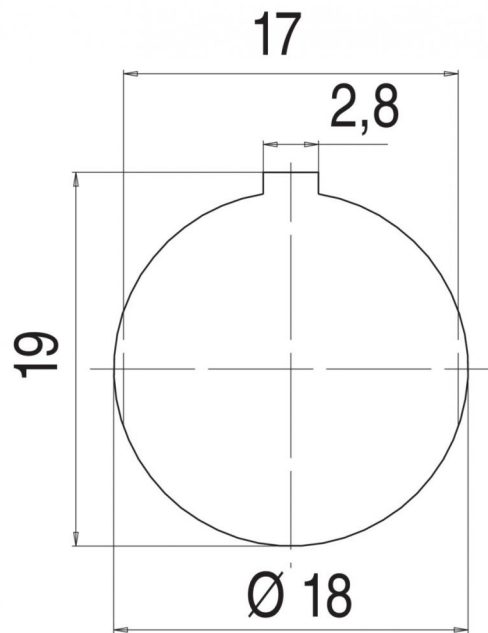
Rated current (40 °C)	5 A
Rated voltage	125 V
Rated impulse voltage	800 V
Pollution degree	1
Overvoltage category	I
Insulating material group	III
Insulation resistance	≥ 10 ¹⁰ Ω
EMC compliance	unshielded
Degree of protection	IP40
Mechanical operation	> 500 Mating cycles

Material

Contact material	depending on crimp contact (accessory)
Contact body material	PBT (UL94 V-0)
REACH SVHC	CAS 7439-92-1 (Lead)

Product description	M16 IP40 female panel mount connector, Contacts: 7, unshielded, crimp (Crimp contacts must be ordered separately), IP40, front mounting
Area	M16 IP40 series 680
Order number	09 0328 780 07

Assembly instructions / Panel cut-out



Product description	M16 IP40 female panel mount connector, Contacts: 7, unshielded, crimp (Crimp contacts must be ordered separately), IP40, front mounting
Area	M16 IP40 series 680
Order number	09 0328 780 07

Security notices

The connector must not be plugged or unplugged under load. Non-observance and improper use can result in personal injury.

The connectors have been developed for applications in plant engineering, control and electrical equipment construction. The user is responsible for checking whether the connectors can also be used in other areas of application.

To protect against unintentional opening of the connector, the thread between the housing and the connector head must be secured with a suitable cyanoacrylate adhesive when used in circuits with voltages dangerous to the touch. This does not apply to connectors used in SELV and PELV circuits according to IEC 61140 (EN 61140, VDE 0140-1).