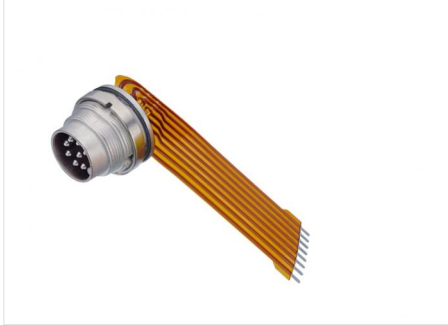


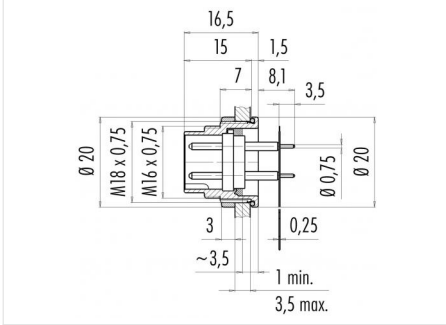
Product description **M16 IP67 male panel mount connector, Contacts: 8 DIN, unshielded, dip-solder, IP68, front mounting**

Area **M16 IP67 series 723**  
 Order number **09 0173 65 08**

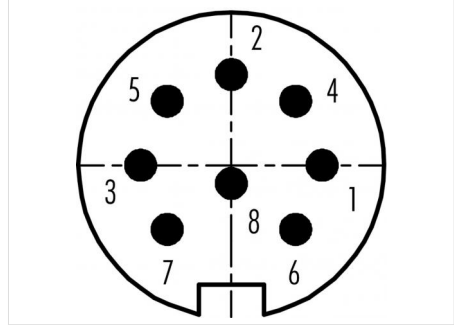
**Illustration**



**Scale drawing**



**Contact arrangement (Plug-in side)**



You can find the assembly instructions on the next page.

**Technical data**

**General values**

Connector design	male panel mount connector
Connector locking system	screw
Termination	dip-solder
Upper limit temperature	95 °C
Lower limit temperature	-40 °C
Customs tariff number	85369010

**Electrical values**

Rated current (40 °C)	5 A
Rated voltage	60 V
Rated impulse voltage	500 V
Pollution degree	1
Overvoltage category	I
Insulating material group	III
Insulation resistance	≥ 10 <sup>10</sup> Ω
EMC compliance	unshielded
Degree of protection	IP68
	IP67
Mechanical operation	> 500 Mating cycles

**Material**

Contact material	CuZn (brass)
Contact plating	Ag (silver)
Contact body material	PBT (UL94 V-0)
Housing material	Zinc die-cast nickel-plated
REACH SVHC	CAS 7439-92-1 (Lead)

Product description M16 IP67 male panel mount connector, Contacts: 8 DIN, unshielded, dip-solder, IP68, front mounting

Area M16 IP67 series 723  
Order number 09 0173 65 08

Assembly instructions / Panel cut-out



Product description	<b>M16 IP67 male panel mount connector, Contacts: 8 DIN, unshielded, dip-solder, IP68, front mounting</b>
Area	<b>M16 IP67 series 723</b>
Order number	<b>09 0173 65 08</b>

## Security notices

The connectors have been developed for applications in plant engineering, control and electrical equipment construction. The user is responsible for checking whether the connectors can also be used in other areas of application.

Plug connectors with enclosure protection IP 67 and IP 68 are not suitable for use under water. When used outdoors, the plug connectors must be protected separately against corrosion. For further information on the IP protection classes, please refer to the "Technical Information" download centre.