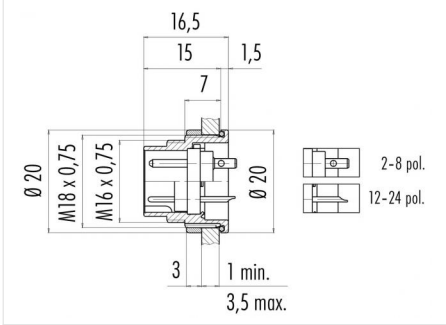


Product description	<b>M16 IP67 male panel mount connector, Contacts: 6 DIN, solder, IP67, UL, front mounting</b>
Area	<b>M16 IP67 series 723</b>
Order number	<b>09 0123 89 06</b>

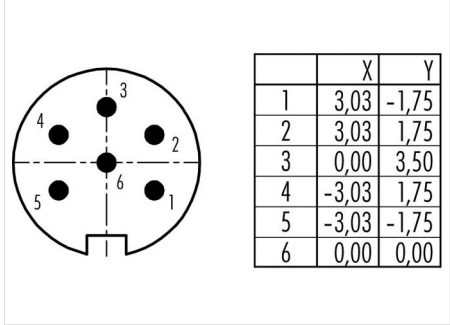
**Illustration**



**Scale drawing**



**Contact arrangement (Plug-in side)**



**You can find the assembly instructions on the next page.**

**Technical data**

**General values**

Connector design	male panel mount connector
Connector locking system	screw
Termination	solder
Wire gauge (mm)	0.75 mm <sup>2</sup>
Wire gauge (AWG)	AWG 18
Upper limit temperature	95 °C
Lower limit temperature	-40 °C
Customs tariff number	85369010

**Electrical values**

Rated current (40 °C)	5 A
Rated voltage	250 V
Rated impulse voltage	1500 V
Pollution degree	1
Overvoltage category	I
Insulating material group	III
Insulation resistance	≥ 10 <sup>10</sup> Ω
Degree of protection	IP67
Mechanical operation	> 500 Mating cycles

**Material**

Contact material	CuZn (brass)
Contact plating	Au (gold)
Contact body material	PBT (UL94 V-0)
Housing material	Zinc die-cast nickel-plated
REACH SVHC	CAS 7439-92-1 (Lead)

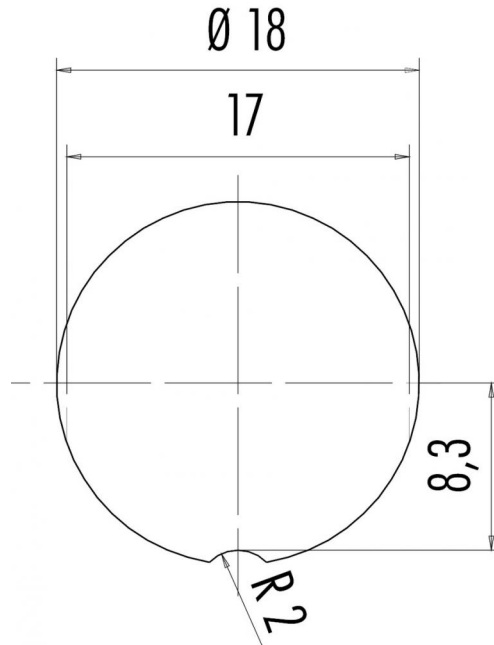
**authorization/approvals**

Approval 1	UL
------------	----

Product description **M16 IP67 male panel mount connector, Contacts: 6 DIN, solder, IP67, UL, front mounting**

Area **M16 IP67 series 723**  
Order number **09 0123 89 06**

Assembly instructions / Panel cut-out



Product description	<b>M16 IP67 male panel mount connector, Contacts: 6 DIN, solder, IP67, UL, front mounting</b>
Area	<b>M16 IP67 series 723</b>
Order number	<b>09 0123 89 06</b>

## Security notices

The connector must not be plugged or unplugged under load. Non-observance and improper use can result in personal injury.

The connectors have been developed for applications in plant engineering, control and electrical equipment construction. The user is responsible for checking whether the connectors can also be used in other areas of application.

Plug connectors with enclosure protection IP 67 and IP 68 are not suitable for use under water. When used outdoors, the plug connectors must be protected separately against corrosion. For further information on the IP protection classes, please refer to the "Technical Information" download centre.

The plug connector is not suitable for mains voltages. Please observe the pollution degree and the overvoltage category. For further information, please refer to the download center "Technical Information".