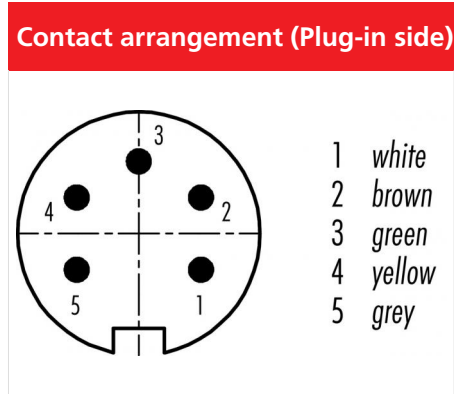
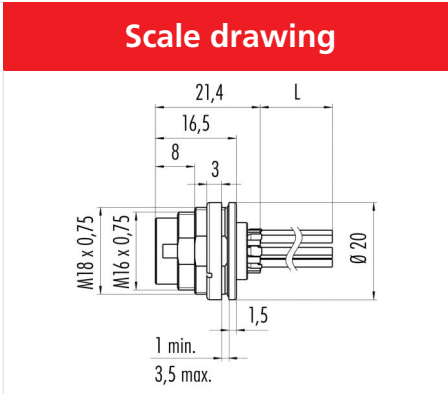


Product description **M16 IP67 male panel mount connector, Contacts: 5, unshielded, single wires, IP67, UL, front mounting**

Area **M16 IP67 series 723**  
 Order number **09 0115 782 05**



You can find the assembly instructions on the next page.

## Technical data

### General values

Connector design	male panel mount connector
Connector locking system	screw
Termination	single wires
Wire gauge (AWG)	AWG 22
Upper limit temperature	85 °C
Lower limit temperature	-30 °C
Customs tariff number	85369010

### Electrical values

Rated current (40 °C)	5 A
Rated voltage	300 V
Rated impulse voltage	1500 V
Pollution degree	1
Overvoltage category	I
Insulating material group	II
Insulation resistance	≥ 10 <sup>10</sup> Ω
EMC compliance	unshielded
Degree of protection	IP67
Mechanical operation	> 500 Mating cycles

### Material

Contact material	CuSn (bronze)
Contact plating	Ag (silver)
Contact body material	PBT (UL94 V-0)
Housing material	Zinc die-cast nickel-plated
REACH SVHC	CAS 7439-92-1 (Lead)

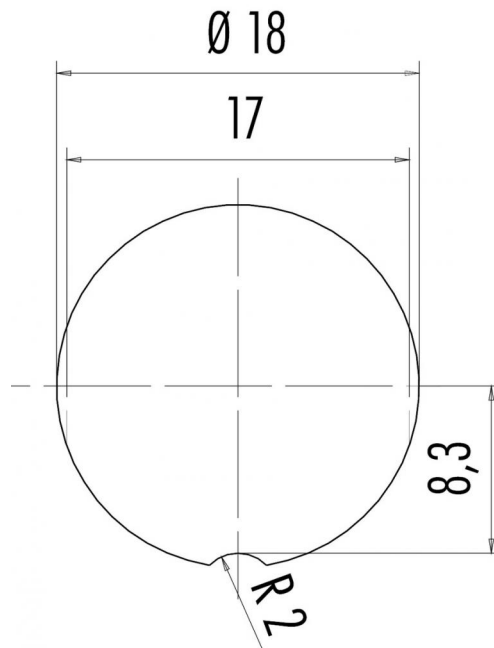
### authorization/approvals

Approval 1	UL
------------	----

Product description M16 IP67 male panel mount connector, Contacts: 5, unshielded, single wires, IP67, UL, front mounting

Area M16 IP67 series 723  
Order number 09 0115 782 05

Assembly instructions / Panel cut-out



Product description	M16 IP67 male panel mount connector, Contacts: 5, unshielded, single wires, IP67, UL, front mounting
Area	M16 IP67 series 723
Order number	09 0115 782 05

## Security notices

The connector must not be plugged or unplugged under load. Non-observance and improper use can result in personal injury.

The connectors have been developed for applications in plant engineering, control and electrical equipment construction. The user is responsible for checking whether the connectors can also be used in other areas of application.

Plug connectors with enclosure protection IP 67 and IP 68 are not suitable for use under water. When used outdoors, the plug connectors must be protected separately against corrosion. For further information on the IP protection classes, please refer to the "Technical Information" download centre.