
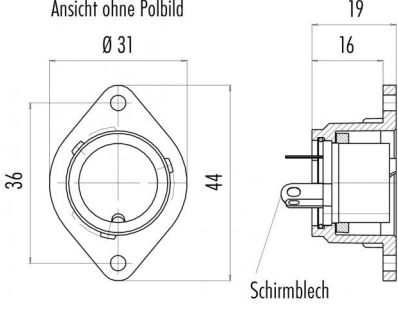
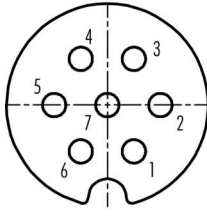


Product description	<b>Bayonet female panel mount connector, Contacts: 7, 5.0 - 8.0 mm, shieldable, with shield plate, solder, IP40</b>
Area	<b>Bayonet series 690</b>
Order number	<b>09 0066 70 07</b>

Illustration	Scale drawing	Contact arrangement (Plug-in side)																								
	<p>Ansicht ohne Polbild</p> 	 <table border="1" style="margin-left: 20px;"> <thead> <tr> <th></th> <th>X</th> <th>Y</th> </tr> </thead> <tbody> <tr><td>1</td><td>2,50</td><td>-4,33</td></tr> <tr><td>2</td><td>5,00</td><td>0,00</td></tr> <tr><td>3</td><td>2,50</td><td>4,33</td></tr> <tr><td>4</td><td>-2,50</td><td>4,33</td></tr> <tr><td>5</td><td>-5,00</td><td>0,00</td></tr> <tr><td>6</td><td>-2,50</td><td>-4,33</td></tr> <tr><td>7</td><td>0,00</td><td>0,00</td></tr> </tbody> </table>		X	Y	1	2,50	-4,33	2	5,00	0,00	3	2,50	4,33	4	-2,50	4,33	5	-5,00	0,00	6	-2,50	-4,33	7	0,00	0,00
	X	Y																								
1	2,50	-4,33																								
2	5,00	0,00																								
3	2,50	4,33																								
4	-2,50	4,33																								
5	-5,00	0,00																								
6	-2,50	-4,33																								
7	0,00	0,00																								

**You can find the component part drawing and assembly instructions on the next page.**

## Technical data

### General values

Connector design	female panel mount connector
Connector locking system	Bayonet
Termination	solder
Wire gauge (mm)	0.75 mm <sup>2</sup>
Wire gauge (AWG)	AWG 18
Cable outlet	5.0 - 8.0 mm
Upper limit temperature	85 °C
Lower limit temperature	-40 °C
Customs tariff number	85369010

### Electrical values

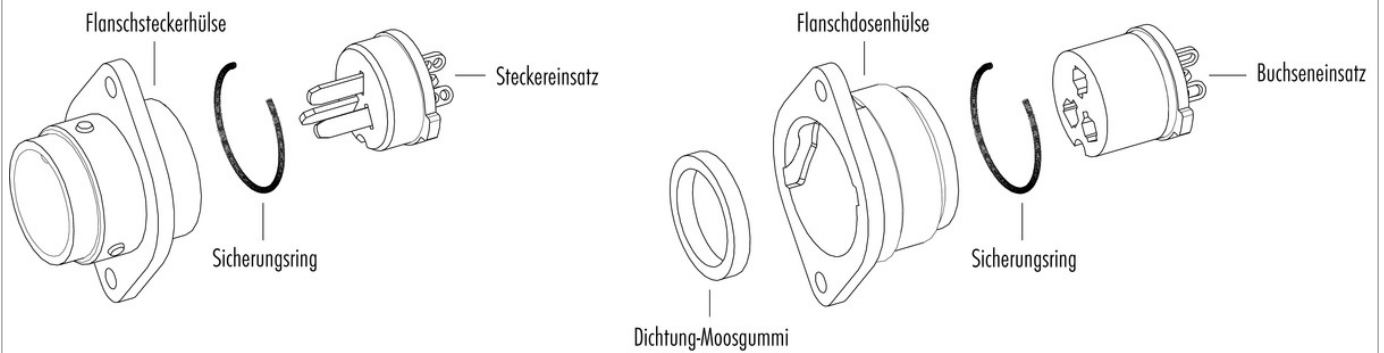
Rated current (40 °C)	5 A
Rated voltage	250 V
Rated impulse voltage	2500 V
Pollution degree	1
Overvoltage category	II
Insulating material group	III
Insulation resistance	≥ 10 <sup>10</sup> Ω
EMC compliance	shieldable, with shield plate
Degree of protection	IP40
Mechanical operation	> 50 Mating cycles

### Material

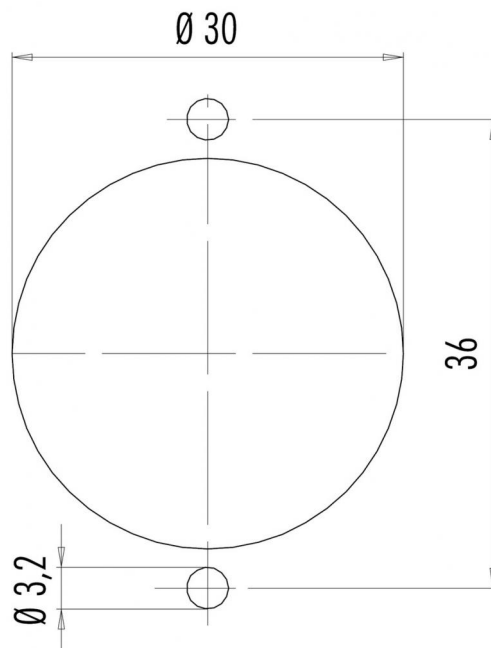
Contact material	CuSn (bronze)
Contact plating	Ag (silver)
Contact body material	PBT (UL94 V-0)
Housing material	PBT

Product description	<b>Bayonet female panel mount connector, Contacts: 7, 5.0 - 8.0 mm, shieldable, with shield plate, solder, IP40</b>
Area	<b>Bayonet series 690</b>
Order number	<b>09 0066 70 07</b>

### Component part drawing



### Assembly instructions / Panel cut-out



Product description	<b>Bayonet female panel mount connector, Contacts: 7, 5.0 - 8.0 mm, shieldable, with shield plate, solder, IP40</b>
Area	<b>Bayonet series 690</b>
Order number	<b>09 0066 70 07</b>

## Security notices

The connector must not be plugged or unplugged under load. Non-observance and improper use can result in personal injury.

The connectors have been developed for applications in plant engineering, control and electrical equipment construction. The user is responsible for checking whether the connectors can also be used in other areas of application.