

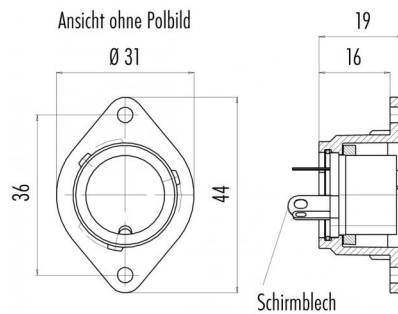
Product description **Bayonet female panel mount connector, Contacts: 5, 5.0 - 8.0 mm, shieldable, with shield plate, solder, IP40**

Area **Bayonet series 690**
Order number **09 0062 70 05**

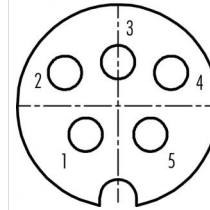
Illustration



Scale drawing



Contact arrangement (Plug-in side)



	X	Y
1	-3,05	-2,70
2	-5,00	3,10
3	0,00	4,10
4	5,00	3,10
5	3,05	-2,70

You can find the component part drawing and assembly instructions on the next page.

Technical data

General values

Connector design	female panel mount connector
Connector locking system	Bayonet
Termination	solder
Wire gauge (mm)	2.50 mm ²
Wire gauge (AWG)	AWG 14
Cable outlet	5.0 - 8.0 mm
Upper limit temperature	85 °C
Lower limit temperature	-40 °C
Customs tariff number	85369010

Electrical values

Rated current (40 °C)	10 A
Rated voltage	250 V
Rated impulse voltage	2500 V
Pollution degree	1
Overvoltage category	II
Insulating material group	III
Insulation resistance	≥ 10 ¹⁰ Ω
EMC compliance	shieldable, with shield plate
Degree of protection	IP40
Mechanical operation	> 50 Mating cycles

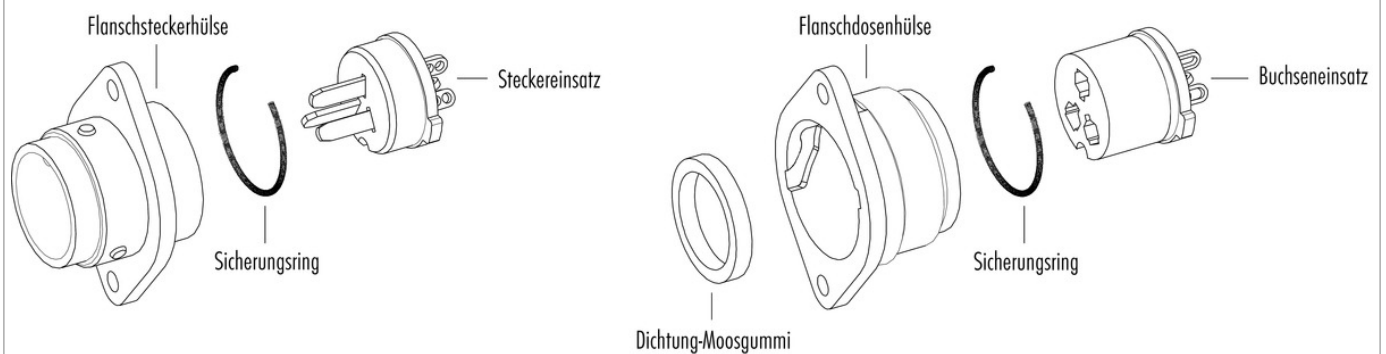
Material

Contact material	CuSn (bronze)
Contact plating	Ag (silver)
Contact body material	PBT (UL94 V-0)
Housing material	PBT

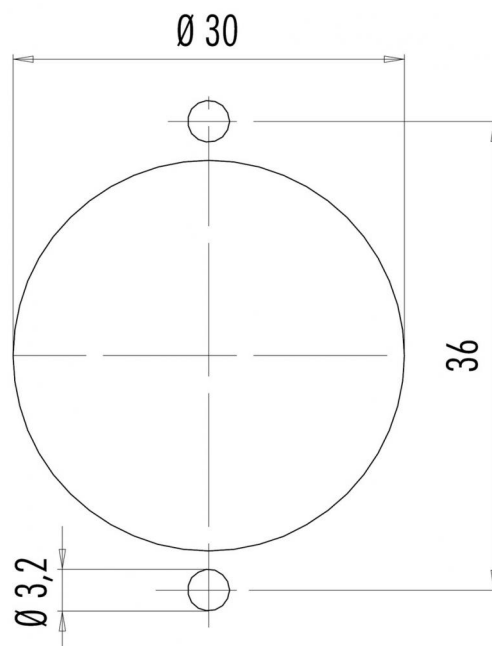
Product description **Bayonet female panel mount connector, Contacts: 5, 5.0 - 8.0 mm, shieldable, with shield plate, solder, IP40**

Area **Bayonet series 690**
Order number **09 0062 70 05**

Component part drawing



Assembly instructions / Panel cut-out



Product description	Bayonet female panel mount connector, Contacts: 5, 5.0 - 8.0 mm, shieldable, with shield plate, solder, IP40
Area	Bayonet series 690
Order number	09 0062 70 05

Security notices

The connector must not be plugged or unplugged under load. Non-observance and improper use can result in personal injury.

The connectors have been developed for applications in plant engineering, control and electrical equipment construction. The user is responsible for checking whether the connectors can also be used in other areas of application.