

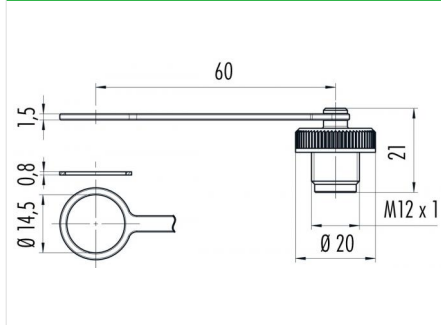
Product description **M12-A/B/D/K/L/S/T/US/X - Protective cap for flange socket, front mounting; Series 713/715/763/766/813/814/815/825/866/876**

Order number **08 2991 000 000**

Illustration



Scale drawing



Technical data

Temperature range	-40°C bis +85°C
Degree of protection	IP67
Material protective cap	PA
Strap material	PUR

Matching products

- 76 0632 1015 00004-0200 - Female panel mount connector, front fastened, with single wires, AWG 16, Power
- 86 4832 3002 00004 - Female panel mount connector, front fastened, solder, plastic housing
- 86 4832 3002 00005 - Female panel mount connector, front fastened, solder, plastic housing
- 86 4832 3002 00008 - Female panel mount connector, front fastened, solder, plastic housing
- 86 4832 3000 00004 - Female panel mount connector, front fastened, dip solder, plastic housing
- 86 4832 3000 00005 - Female panel mount connector, front fastened, dip solder, plastic housing
- 86 4832 3000 00008 - Female panel mount connector, front fastened, dip solder, plastic housing
- 86 4832 3100 00012 - Female panel mount connector, front fastened, dip solder, plastic housing
- 76 0532 1011 00004-0200 - Female panel mount connector, front fastened, with single wir, metal housing
- 76 0632 1011 00004-0200 - Female panel mount connector, front fastened, with single wir, metal housing
- 76 2532 1111 00004-0200 - Female panel mount connector, front fastened, with single wir, metal housing
- 76 0532 1011 00005-0200 - Female panel mount connector, front fastened, with single wir, metal housing
- 76 0632 1011 00005-0200 - Female panel mount connector, front fastened, with single wir, metal housing
- 76 2532 1111 00005-0200 - Female panel mount connector, front fastened, with single wir, metal housing
- 76 0532 1011 00008-0200 - Female panel mount connector, front fastened, with single wir, metal housing
- 76 0632 1011 00008-0200 - Female panel mount connector, front fastened, with single wir, metal housing
- 76 2532 1111 00008-0200 - Female panel mount connector, front fastened, with single wir, metal housing
- 76 0532 1111 00012-0200 - Female panel mount connector, front fastened, with single wir, metal housing
- 76 0632 1111 00012-0200 - Female panel mount connector, front fastened, with single wir, metal housing
- 76 2532 1111 00012-0200 - Female panel mount connector, front fastened, with single wir, metal housing
- 86 0532 1002 00004 - Female panel mount connector, front fastened, solder, metal housing, not mounted
- 86 0632 1002 00004 - Female panel mount connector, front fastened, solder, metal housing, not mounted
- 86 0532 1002 00005 - Female panel mount connector, front fastened, solder, metal housing, not mounted
- 86 0632 1002 00005 - Female panel mount connector, front fastened, solder, metal housing, not mounted
- 86 0532 1002 00008 - Female panel mount connector, front fastened, solder, metal housing, not mounted
- 86 0632 1002 00008 - Female panel mount connector, front fastened, solder, metal housing, not mounted
- 86 0532 1000 00004 - Female panel mount connector, front fastened, dip solder, 6 mm contact length, metal housing
- 86 0632 1000 00004 - Female panel mount connector, front fastened, dip solder, 6 mm contact length, metal housing
- 86 0532 1000 00005 - Female panel mount connector, front fastened, dip solder, 6 mm contact length, metal housing
- 86 0632 1000 00005 - Female panel mount connector, front fastened, dip solder, 6 mm contact length, metal housing

Product description **M12-A/B/D/K/L/S/T/US/X - Protective cap for flange socket, front mounting; Series 713/715/763/766/813/814/815/825/866/876**

Order number **08 2991 000 000**

- 86 2532 1100 00005 - Female panel mount connector, front fastened, dip solder, 6 mm contact length, metal housing
- 86 0532 1000 00008 - Female panel mount connector, front fastened, dip solder, 6 mm contact length, metal housing
- 86 0632 1000 00008 - Female panel mount connector, front fastened, dip solder, 6 mm contact length, metal housing
- 86 2532 1100 00008 - Female panel mount connector, front fastened, dip solder, 6 mm contact length, metal housing
- 86 0532 1100 00012 - Female panel mount connector, front fastened, dip solder, 6 mm contact length, metal housing
- 86 0632 1100 00012 - Female panel mount connector, front fastened, dip solder, 6 mm contact length, metal housing
- 09 3432 92 04 - Female panel mount connector, front fastened, dip solder, 12 mm contact length, metal housing
- 09 3442 92 05 - Female panel mount connector, front fastened, dip solder, 12 mm contact length, metal housing
- 86 0532 1120 00004 - Female panel mount connector, front fastened, dip solder, with shielding sheet, metal housing
- 86 0532 1120 00005 - Female panel mount connector, front fastened, dip solder, with shielding sheet, metal housing
- 86 0532 1120 00008 - Female panel mount connector, front fastened, dip solder, with shielding sheet, metal housing
- 86 0532 1120 00012 - Female panel mount connector, front fastened, dip solder, with shielding sheet, metal housing
- 86 0532 1121 00004 - Female angled panel mount connector, front fastened, dip solder, with shielding sheet, metal housing
- 86 0532 1121 00005 - Female angled panel mount connector, front fastened, dip solder, with shielding sheet, metal housing
- 70 3442 287 05 - Female panel mount connector, front fastened, with shielded PUR cable
- 70 3482 287 08 - Female panel mount connector, front fastened, with shielded PUR cable
- 76 4832 3011 00004-0200 - Female panel mount connector, front fastened, with single wires, AWG 24, PG 9, plastic housing
- 76 4832 3011 00005-0200 - Female panel mount connector, front fastened, with single wires, AWG 24, PG 9, plastic housing
- 76 4832 3011 00008-0200 - Female panel mount connector, front fastened, with single wires, AWG 24, PG 9, plastic housing
- 76 0534 1011 00104-0200 - Female panel mount connector, front fastened, with single wires 0.25 mm²
- 76 0534 1011 00105-0200 - Female panel mount connector, front fastened, with single wires 0.25 mm²
- 86 0534 1000 00004 - Female panel mount connector, front fastened, dip solder, 6 mm contact length
- 86 0534 1000 00005 - Female panel mount connector, front fastened, dip solder, 6 mm contact length
- 86 0534 1120 00005 - Female panel mount connector for PCB mounting, screwed from front, with shielding sheet, dip-solder
- 70 4434 247 04 - Female panel mount connector, front fastened, with PROFIBUS-cable, shielded
- 76 0536 1011 00404-0200 - Female panel mount connector, front fastened, with single wires, 0.25 mm²
- 86 0536 1000 00404 - Female panel mount connector, front fastened, dip solder
- 86 0536 1120 00404 - Female panel mount connector, front fastened, dip solder, with shielding sheet for PCB mounting
- 70 3734 706 04 - Female panel mount connector M16, front fastened, with PROFINET-cable, shielded
- 09 3782 91 08 - Female panel mount connector with X-coding, front fastened, dip solder
- 70 3784 706 08 - Female panel mount connector with X-coding, front fastened, with Ethernet cable
- 09 0692 121 04 - Female panel mount connector, Power, S-Coding, screwed from front, with single wires
- 09 0692 321 04 - Male panel mount connector, Power, S-Coding, with single wires, M20 x 1,5
- 09 0632 90 04 - Female panel mount connector, POWER, front fastened, dip-solder, T-Coding
- 09 0632 120 04 - Female panel mount connector, POWER, front fastened, with single wires, T-Coding
- 09 0632 321 04 - Female panel mount connector, front fastened, with single wires, T-Coding, plastic housing