

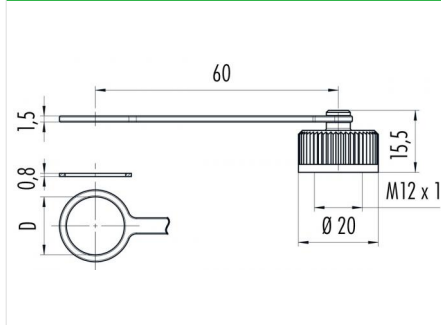
Product description **M12-A/B/D/K/K/L/S/T/US/X - Protective cap for flange plug, front mounting, 14.5 mm; 713/715/763/766/813/814/815/825/866/876 series**

Order number **08 2990 000 000**

Illustration



Scale drawing



Technical data

Temperature range	-40°C bis +85°C
Degree of protection	IP67
Material protective cap	PA
Strap material	PUR
Material seal	Neoprene (standard)

Matching products

- 76 0631 1015 00004-0200 - Male panel mount connector, front fastened, with single wires, AWG 16, Power
- 76 0131 0011 00004-0200 - Male panel mount connector with single wires, metal housing
- 76 4731 3011 00004-0200 - Male panel mount connector, front fastened, with single wires, AWG 24, plastic housing
- 76 4731 3011 00005-0200 - Male panel mount connector, front fastened, with single wires, AWG 24, plastic housing
- 76 4731 3011 00008-0200 - Male panel mount connector, front fastened, with single wires, AWG 24, plastic housing
- 76 4731 3111 00012-0200 - Male panel mount connector, front fastened, with single wires, AWG 24, plastic housing
- 76 0531 1011 00004-0200 - Male panel mount connector, front fastened, with single wires, metal housing
- 76 0631 1011 00004-0200 - Male panel mount connector, front fastened, with single wires, metal housing
- 76 0531 1011 00005-0200 - Male panel mount connector, front fastened, with single wires, metal housing
- 76 0631 1011 00005-0200 - Male panel mount connector, front fastened, with single wires, metal housing
- 76 2531 1111 00005-0200 - Male panel mount connector, front fastened, with single wires, metal housing
- 76 0531 1011 00008-0200 - Male panel mount connector, front fastened, with single wires, metal housing
- 76 0631 1011 00008-0200 - Male panel mount connector, front fastened, with single wires, metal housing
- 76 2531 1111 00008-0200 - Male panel mount connector, front fastened, with single wires, metal housing
- 76 0531 1111 00012-0200 - Male panel mount connector, front fastened, with single wires, metal housing
- 76 0631 1111 00012-0200 - Male panel mount connector, front fastened, with single wires, metal housing
- 86 0531 1002 00004 - Male panel mount connector, front fastened, solder, metal housing
- 86 0631 1002 00004 - Male panel mount connector, front fastened, solder, metal housing
- 86 0531 1002 00005 - Male panel mount connector, front fastened, solder, metal housing
- 86 0631 1002 00005 - Male panel mount connector, front fastened, solder, metal housing
- 86 0531 1002 00008 - Male panel mount connector, front fastened, solder, metal housing
- 86 0631 1002 00008 - Male panel mount connector, front fastened, solder, metal housing
- 86 0531 1000 00004 - Male panel mount connector, front fastened, dip solder, metal housing
- 86 0631 1000 00004 - Male panel mount connector, front fastened, dip solder, metal housing
- 86 0531 1000 00005 - Male panel mount connector, front fastened, dip solder, metal housing
- 86 0631 1000 00005 - Male panel mount connector, front fastened, dip solder, metal housing
- 86 2531 1100 00005 - Male panel mount connector, front fastened, dip solder, metal housing
- 86 0531 1000 00008 - Male panel mount connector, front fastened, dip solder, metal housing
- 86 0631 1000 00008 - Male panel mount connector, front fastened, dip solder, metal housing

Product description **M12-A/B/D/K/K/L/S/T/US/X - Protective cap for flange plug, front mounting, 14.5 mm;
713/715/763/766/813/814/815/825/866/876 series**

Order number **08 2990 000 000**

86 2531 1100 00008 - Male panel mount connector, front fastened, dip solder, metal housing
 86 0531 1100 00012 - Male panel mount connector, front fastened, dip solder, metal housing
 86 0631 1100 00012 - Male panel mount connector, front fastened, dip solder, metal housing
 86 0531 1120 00004 - Male panel mount connector, front fastened, with shielding sheet, dip-soldered
 86 0531 1120 00005 - Male panel mount connector, front fastened, with shielding sheet, dip-soldered
 86 0531 1120 00008 - Male panel mount connector, front fastened, with shielding sheet, dip-soldered
 86 0531 1120 00012 - Male panel mount connector, front fastened, with shielding sheet, dip-soldered
 86 0531 1121 00004 - Male angled panel mount connector, front fastened, with shielding sheet, dip-soldered
 86 0531 1121 00005 - Male angled panel mount connector, front fastened, with shielding sheet, dip-soldered
 70 3441 287 05 - Male panel mount connector, front fastened, with shielded PUR cable
 70 3481 287 08 - Male panel mount connector, front fastened, with shielded PUR cable
 76 0533 1011 00104-0200 - Male panel mount connector, front fastened, with single wires 0.25 mm²
 76 0533 1011 00105-0200 - Male panel mount connector, front fastened, with single wires 0.25 mm²
 86 0533 1000 00004 - Male panel mount connector, front fastened, dip solder
 86 0533 1000 00005 - Male panel mount connector, front fastened, dip solder
 86 0533 1120 00005 - Male panel mount connector for circuit board mounting, front fastened, dip solder, with shielding sheet
 70 4433 247 04 - Male panel mount connector, front fastened, with PROFIBUS cable, shielded
 70 3733 706 04 - Male panel mount connector, front fastened, with PROFINET-cable, shielded
 09 0687 121 03 - Male panel mount connector, Power, S-Coding, screwed from front, with single wires
 09 0691 121 04 - Male panel mount connector, Power, S-Coding, screwed from front, with single wires
 09 0691 320 04 - Male panel mount connector, Power, S-Coding, with single wires, M20 x 1,5
 09 0631 90 04 - Male panel mount connector, POWER, front fastened, dip-solder, T-Coding, M16 x 1,5
 09 0631 120 04 - Male panel mount connector, POWER, front fastened, with single wires, T-Coding, M16 x 1,5
 09 0631 320 04 - Male panel mount connector, front fastened, with single wires, T-Coding, plastic housing