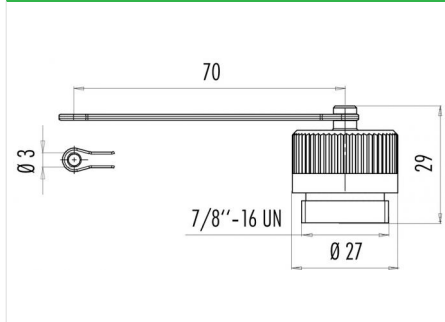


Product description **7/8" - Protection cap for flange socket; Series 820/870**
 Order number **08 2811 000 000**

Illustration



Scale drawing



Technical data

| | |
|-------------------------|-----------------|
| Temperature range | -40°C bis +85°C |
| Degree of protection | IP67 gesteckt |
| Material protective cap | PA |
| Strap material | PUR |

Matching products

- 09 2446 310 03 - Female panel mount connector with single wires
- 09 2446 300 03 - Female panel mount connector with single wires
- 09 2446 320 03 - Female panel mount connector with single wires
- 09 2448 310 04 - Female panel mount connector with single wires
- 09 2448 300 04 - Female panel mount connector with single wires
- 09 2448 320 04 - Female panel mount connector with single wires
- 09 2450 310 05 - Female panel mount connector with single wires
- 09 2450 300 05 - Female panel mount connector with single wires
- 09 2450 320 05 - Female panel mount connector with single wires
- 09 2446 100 03 - Female panel mount connector, front fastened, with single wires
- 09 2448 100 04 - Female panel mount connector, front fastened, with single wires
- 09 2450 100 05 - Female panel mount connector, front fastened, with single wires
- 09 2446 330 03 - Female panel mount connector, dip solder
- 09 2448 330 04 - Female panel mount connector, dip solder
- 09 2450 330 05 - Female panel mount connector, dip solder
- 09 2446 180 03 - Female panel mount connector, front fastened, dip solder
- 09 2448 180 04 - Female panel mount connector, front fastened, dip solder
- 09 2450 180 05 - Female panel mount connector, front fastened, dip solder
- 09 2472 00 05 - Adaptor, switch cabinet bushing, male connector / female connector