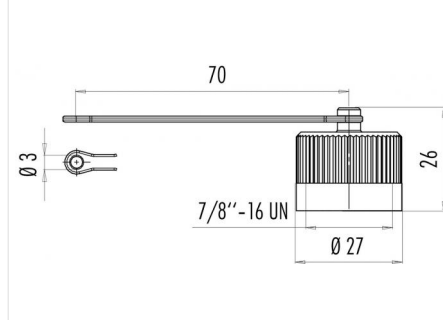


Product description	7/8" - protective cap for flange plug; series 820/870
Order number	08 2809 000 000

Illustration



Scale drawing



Technical data

Temperature range	-40°C bis +85°C
Degree of protection	IP67 gesteckt
Material protective cap	PA
Strap material	PUR

Matching products

- 09 2447 310 03 - Male panel mount connector with single wires
- 09 2447 300 03 - Male panel mount connector with single wires
- 09 2447 320 03 - Male panel mount connector with single wires
- 09 2449 310 04 - Male panel mount connector with single wires
- 09 2449 300 04 - Male panel mount connector with single wires
- 09 2449 320 04 - Male panel mount connector with single wires
- 09 2451 310 05 - Male panel mount connector with single wires
- 09 2451 300 05 - Male panel mount connector with single wires
- 09 2451 320 05 - Male panel mount connector with single wires
- 09 2447 100 03 - Male panel mount connector, front fastened, with single wires
- 09 2449 100 04 - Male panel mount connector, front fastened, with single wires
- 09 2451 100 05 - Male panel mount connector, front fastened, with single wires
- 09 2447 330 03 - Male panel mount connector, dip solder
- 09 2449 330 04 - Male panel mount connector, dip solder
- 09 2451 330 05 - Male panel mount connector, dip solder
- 09 2447 180 03 - Male panel mount connector, front fastened, dip solder
- 09 2449 180 04 - Male panel mount connector, front fastened, dip solder
- 09 2451 180 05 - Male panel mount connector, front fastened, dip solder
- 09 2472 00 05 - Adaptor, switch cabinet bushing, male connector / female connector