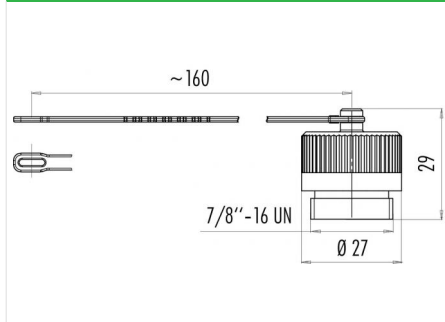


Product description	7/8" - protective cap for cable socket; Series 820/870
Order number	08 2808 000 000

Illustration



Scale drawing



Technical data

Temperature range	-40°C bis +85°C
Degree of protection	IP67 gesteckt
Material protective cap	PA
Strap material	PUR

Matching products

- 99 2440 12 03 - Female cable connector with die-cast threaded ring
- 99 2440 32 03 - Female cable connector with die-cast threaded ring
- 99 2442 12 04 - Female cable connector with die-cast threaded ring
- 99 2442 32 04 - Female cable connector with die-cast threaded ring
- 99 2444 12 05 - Female cable connector with die-cast threaded ring
- 99 2444 32 05 - Female cable connector with die-cast threaded ring
- 99 2444 33 05 - Female cable connector with die-cast threaded ring
- 99 2440 21 03 - Female cable connector with die-cast threaded ring
- 99 2440 42 03 - Female cable connector with die-cast threaded ring
- 99 2442 21 04 - Female cable connector with die-cast threaded ring
- 99 2442 42 04 - Female cable connector with die-cast threaded ring
- 99 2444 21 05 - Female cable connector with die-cast threaded ring
- 99 2444 42 05 - Female cable connector with die-cast threaded ring
- 99 2444 23 05 - Female cable connector with die-cast threaded ring
- 99 2444 43 05 - Female cable connector with die-cast threaded ring
- 99 2440 282 03 - Female cable connector, stainless steel locking ring
- 99 2442 282 04 - Female cable connector, stainless steel locking ring
- 99 2444 282 05 - Female cable connector, stainless steel locking ring
- 99 2440 52 03 - Female angled connector with die-cast threaded ring
- 99 2442 52 04 - Female angled connector with die-cast threaded ring
- 99 2444 52 05 - Female angled connector with die-cast threaded ring
- 99 2440 62 03 - Female angled connector with die-cast threaded ring
- 99 2440 72 03 - Female angled connector with die-cast threaded ring
- 99 2442 62 04 - Female angled connector with die-cast threaded ring
- 99 2442 72 04 - Female angled connector with die-cast threaded ring
- 99 2444 62 05 - Female angled connector with die-cast threaded ring
- 99 2444 72 05 - Female angled connector with die-cast threaded ring
- 99 2444 63 05 - Female angled connector with die-cast threaded ring
- 99 2444 73 05 - Female angled connector with die-cast threaded ring
- 77 1430 0000 50003-0200 - Female cable connector
- 77 1430 0000 50003-0500 - Female cable connector

Product description	7/8" - protective cap for cable socket; Series 820/870
Order number	08 2808 000 000

- 77 1430 0000 50003-1000 - Female cable connector
- 77 1430 0000 50004-0200 - Female cable connector
- 77 1430 0000 50004-0500 - Female cable connector
- 77 1430 0000 50004-1000 - Female cable connector
- 77 1430 0000 50005-0200 - Female cable connector
- 77 1430 0000 50005-0500 - Female cable connector
- 77 1430 0000 50005-1000 - Female cable connector
- 77 1434 0000 50003-0200 - Female angled connector
- 77 1434 0000 50003-0500 - Female angled connector
- 77 1434 0000 50003-1000 - Female angled connector
- 77 1434 0000 50004-0200 - Female angled connector
- 77 1434 0000 50004-0500 - Female angled connector
- 77 1434 0000 50004-1000 - Female angled connector
- 77 1434 0000 50005-0200 - Female angled connector
- 77 1434 0000 50005-0500 - Female angled connector
- 77 1434 0000 50005-1000 - Female angled connector