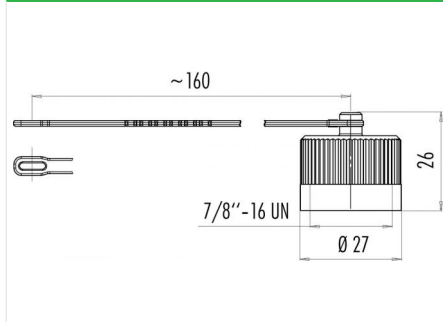


| | |
|---------------------|--|
| Product description | 7/8" - protective cap for cable connectors; series 820/870 |
| Order number | 08 2807 000 000 |

Illustration



Scale drawing



Technical data

| | |
|-------------------------|-----------------|
| Temperature range | -40°C bis +85°C |
| Degree of protection | IP67 gesteckt |
| Material protective cap | PA |
| Strap material | PUR |

Matching products

- 99 2441 12 03 - Male cable connector with die-cast threaded ring
- 99 2441 32 03 - Male cable connector with die-cast threaded ring
- 99 2443 12 04 - Male cable connector with die-cast threaded ring
- 99 2443 32 04 - Male cable connector with die-cast threaded ring
- 99 2445 12 05 - Male cable connector with die-cast threaded ring
- 99 2445 32 05 - Male cable connector with die-cast threaded ring
- 99 2445 33 05 - Male cable connector with die-cast threaded ring
- 99 2441 21 03 - Male cable connector with die-cast threaded ring
- 99 2441 42 03 - Male cable connector with die-cast threaded ring
- 99 2443 21 04 - Male cable connector with die-cast threaded ring
- 99 2443 42 04 - Male cable connector with die-cast threaded ring
- 99 2445 21 05 - Male cable connector with die-cast threaded ring
- 99 2445 42 05 - Male cable connector with die-cast threaded ring
- 99 2445 23 05 - Male cable connector with die-cast threaded ring
- 99 2445 43 05 - Male cable connector with die-cast threaded ring
- 99 2441 282 03 - Male cable connector, stainless steel locking ring
- 99 2443 282 04 - Male cable connector, stainless steel locking ring
- 99 2445 282 05 - Male cable connector, stainless steel locking ring
- 99 2441 52 03 - Male angled connector with die-cast threaded ring
- 99 2443 52 04 - Male angled connector with die-cast threaded ring
- 99 2445 52 05 - Male angled connector with die-cast threaded ring
- 99 2441 62 03 - Male angled connector with die-cast threaded ring
- 99 2441 72 03 - Male angled connector with die-cast threaded ring
- 99 2443 62 04 - Male angled connector with die-cast threaded ring
- 99 2443 72 04 - Male angled connector with die-cast threaded ring
- 99 2445 62 05 - Male angled connector with die-cast threaded ring
- 99 2445 72 05 - Male angled connector with die-cast threaded ring
- 99 2445 63 05 - Male angled connector with die-cast threaded ring
- 99 2445 73 05 - Male angled connector with die-cast threaded ring
- 77 1429 0000 50003-0200 - Male cable connector
- 77 1429 0000 50003-0500 - Male cable connector

| | |
|---------------------|---|
| Product description | 7/8" - protective cap for cable connectors; series 820/870 |
| Order number | 08 2807 000 000 |

- 77 1429 0000 50003-1000 - Male cable connector
- 77 1429 0000 50004-0200 - Male cable connector
- 77 1429 0000 50004-0500 - Male cable connector
- 77 1429 0000 50004-1000 - Male cable connector
- 77 1429 0000 50005-0200 - Male cable connector
- 77 1429 0000 50005-0500 - Male cable connector
- 77 1429 0000 50005-1000 - Male cable connector
- 77 1427 0000 50003-0200 - Male angled connector
- 77 1427 0000 50003-0500 - Male angled connector
- 77 1427 0000 50003-1000 - Male angled connector
- 77 1427 0000 50004-0200 - Male angled connector
- 77 1427 0000 50004-0500 - Male angled connector
- 77 1427 0000 50004-1000 - Male angled connector
- 77 1427 0000 50005-0200 - Male angled connector
- 77 1427 0000 50005-0500 - Male angled connector
- 77 1427 0000 50005-1000 - Male angled connector