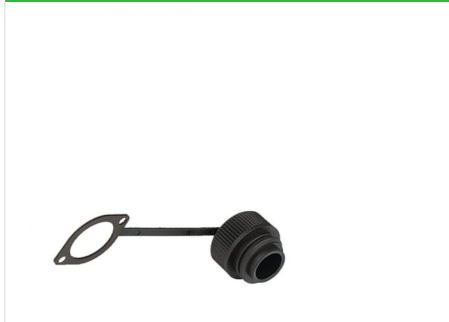
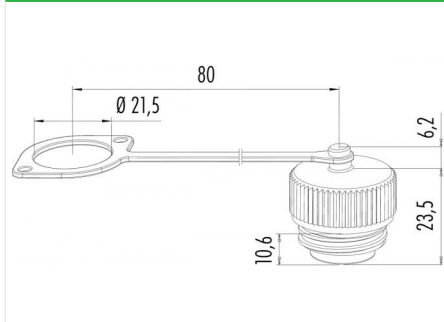


Product description **RD24 - Protection cap for flange socket; Series 692/693**  
 Order number **08 2673 000 000**

## Illustration



## Scale drawing



## Technical data

Temperature range	-40°C bis +85°C
Degree of protection	IP67
Material protective cap	PA
Strap material	PUR

## Matching products

- 09 0212 00 04 - Female panel mount connector 3+PE, screw clamp termination
- 09 4224 00 04 - Female panel mount connector 3+PE, screw clamp termination, printed
- 09 0216 00 07 - Female panel mount connector 6+PE, solder termination
- 09 4228 00 07 - Female panel mount connector 6+PE, solder termination, printed
- 09 0220 00 07 - Female panel mount connector 6+PE, screw clamp termination
- 09 4220 00 07 - Female panel mount connector 6+PE, screw clamp termination, printed
- 09 0204 00 07 - Female panel mount connector 6+PE, crimp termination
- 09 4204 00 07 - Female panel mount connector 6+PE, crimp termination, printed