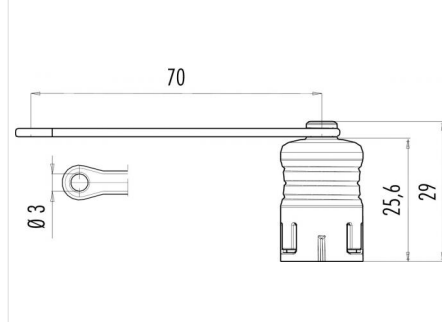


Product description	Snap-In - Protection cap for flange socket; Series 720
Order number	08 2567 000 000

Illustration



Scale drawing



Technical data

Temperature range	-40°C bis +85°C
Degree of protection	IP67
Material protective cap	PA
Strap material	PUR

Matching products

- 99 9108 00 03 - Female panel mount connector, black, solder
- 99 9116 00 05 - Female panel mount connector, black, solder
- 99 9128 00 08 - Female panel mount connector, black, solder
- 99 9136 00 12 - Female panel mount connector, black, solder
- 99 9108 50 03 - Female panel mount connector, red, solder
- 99 9116 50 05 - Female panel mount connector, red, solder
- 99 9128 50 08 - Female panel mount connector, red, solder
- 99 9136 50 12 - Female panel mount connector, red, solder
- 99 9108 60 03 - Female panel mount connector, blue, solder
- 99 9116 60 05 - Female panel mount connector, blue, solder
- 99 9128 60 08 - Female panel mount connector, blue, solder
- 99 9136 60 12 - Female panel mount connector, blue, solder
- 99 9108 70 03 - Female panel mount connector, green, solder
- 99 9116 70 05 - Female panel mount connector, green, solder
- 99 9128 70 08 - Female panel mount connector, green, solder
- 99 9136 70 12 - Female panel mount connector, green, solder
- 99 9108 090 03 - Female panel mount connector, black, dip-solder
- 99 9116 090 05 - Female panel mount connector, black, dip-solder
- 99 9128 090 08 - Female panel mount connector, black, dip-solder
- 99 9136 090 12 - Female panel mount connector, black, dip-solder
- 99 9108 400 03 - Female panel mount connector
- 99 9116 400 05 - Female panel mount connector
- 99 9128 400 08 - Female panel mount connector
- 99 9136 400 12 - Female panel mount connector
- 99 9108 490 03 - Female panel mount connector, dip solder
- 99 9116 490 05 - Female panel mount connector, dip solder
- 99 9128 490 08 - Female panel mount connector, dip solder
- 99 9136 490 12 - Female panel mount connector, dip solder
- 99 9108 50 03 - Female panel mount connector
- 99 9116 50 05 - Female panel mount connector
- 99 9128 50 08 - Female panel mount connector

Product description	Snap-In - Protection cap for flange socket; Series 720
Order number	08 2567 000 000

- 99 9136 50 12 - Female panel mount connector
- 99 9108 60 03 - Female panel mount connector
- 99 9116 60 05 - Female panel mount connector
- 99 9128 60 08 - Female panel mount connector
- 99 9136 60 12 - Female panel mount connector
- 99 9108 70 03 - Female panel mount connector
- 99 9116 70 05 - Female panel mount connector
- 99 9128 70 08 - Female panel mount connector
- 99 9136 70 12 - Female panel mount connector