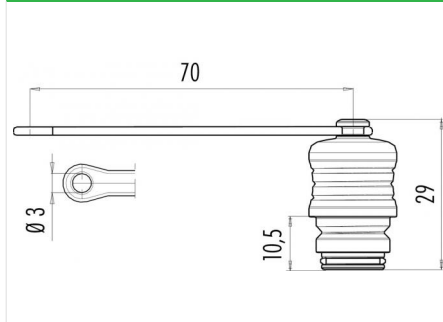


Product description      **Snap-In - Protective cap for flange plug; Series 720**  
 Order number              **08 2559 000 000**

## Illustration



## Scale drawing



## Technical data

Temperature range	-40°C bis +85°C
Degree of protection	IP67
Material protective cap	PA
Strap material	PUR
Material seal	FPM/FKM

## Matching products

- 99 9107 00 03 - Male panel mount connector, black, solder
- 99 9115 00 05 - Male panel mount connector, black, solder
- 99 9127 00 08 - Male panel mount connector, black, solder
- 99 9135 00 12 - Male panel mount connector, black, solder
- 99 9107 50 03 - Male panel mount connector, red, solder
- 99 9115 50 05 - Male panel mount connector, red, solder
- 99 9127 50 08 - Male panel mount connector, red, solder
- 99 9135 50 12 - Male panel mount connector, red, solder
- 99 9107 60 03 - Male panel mount connector, blue, solder
- 99 9115 60 05 - Male panel mount connector, blue, solder
- 99 9127 60 08 - Male panel mount connector, blue, solder
- 99 9135 60 12 - Male panel mount connector, blue, solder
- 99 9107 70 03 - Male panel mount connector, green, solder
- 99 9115 70 05 - Male panel mount connector, green, solder
- 99 9127 70 08 - Male panel mount connector, green, solder
- 99 9135 70 12 - Male panel mount connector, green, solder
- 99 9107 090 03 - Male panel mount connector, black, dip solder
- 99 9115 090 05 - Male panel mount connector, black, dip solder
- 99 9127 090 08 - Male panel mount connector, black, dip solder
- 99 9135 090 12 - Male panel mount connector, black, dip solder
- 99 9107 400 03 - Male panel mount connector
- 99 9115 400 05 - Male panel mount connector
- 99 9127 400 08 - Male panel mount connector
- 99 9135 400 12 - Male panel mount connector
- 99 9107 490 03 - Male panel mount connector, dip solder
- 99 9115 490 05 - Male panel mount connector, dip solder
- 99 9127 490 08 - Male panel mount connector, dip solder
- 99 9135 490 12 - Male panel mount connector, dip solder
- 99 9107 50 03 - Male panel mount connector
- 99 9115 50 05 - Male panel mount connector

Product description	<b>Snap-In - Protective cap for flange plug; Series 720</b>
Order number	<b>08 2559 000 000</b>

99 9127 50 08 - Male panel mount connector  
99 9135 50 12 - Male panel mount connector  
99 9107 60 03 - Male panel mount connector  
99 9115 60 05 - Male panel mount connector  
99 9127 60 08 - Male panel mount connector  
99 9135 60 12 - Male panel mount connector  
99 9107 70 03 - Male panel mount connector  
99 9115 70 05 - Male panel mount connector  
99 9127 70 08 - Male panel mount connector  
99 9135 70 12 - Male panel mount connector