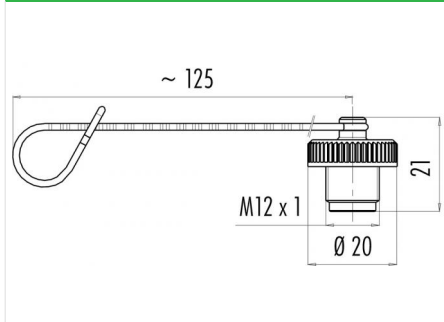


Product description **M12-A/B/D/K/L/S/T/US/X - Protective cap for cable socket; Series 713/715/763/766/813/814/815/825/866/876**
 Order number **08 2425 010 000**

Illustration



Scale drawing



Technical data

Temperature range	-40°C bis +85°C
Degree of protection	IP67
Material protective cap	PA
Strap material	PUR

Matching products

- 99 0530 24 04 - Female angled connector, crimp connection
- 99 0530 52 04 - Female angled connector, crimp connection
- 99 1434 824 04 - Female angled connector, crimp connection, shieldable
- 99 0430 10 04 - Female cable connector, plastic locking system, screw clamp connection
- 99 0436 10 05 - Female cable connector, plastic locking system, screw clamp connection
- 99 0436 57 05 - Female cable connector, plastic locking system, screw clamp connection
- 99 0430 30 04 - Female cable connector, plastic locking system, screw clamp connection, transparent housing
- 99 0430 07 04 - Female cable connector, metal locking system, screw clamp connection, solder termination on 12 pol
- 99 0430 158 04 - Female cable connector, metal locking system, screw clamp connection, solder termination on 12 pol
- 99 0430 314 04 - Female cable connector, metal locking system, screw clamp connection, solder termination on 12 pol
- 99 0430 12 04 - Female cable connector, metal locking system, screw clamp connection, solder termination on 12 pol
- 99 0430 14 04 - Female cable connector, metal locking system, screw clamp connection, solder termination on 12 pol
- 99 0436 12 05 - Female cable connector, metal locking system, screw clamp connection, solder termination on 12 pol
- 99 0436 14 05 - Female cable connector, metal locking system, screw clamp connection, solder termination on 12 pol
- 99 0486 12 08 - Female cable connector, metal locking system, screw clamp connection, solder termination on 12 pol
- 99 0492 12 12 - Female cable connector, metal lock, solder connection, with offset soldering surfaces
- 99 0430 82 04 - Female cable connector, stainless steel locking system, screw clamp connection
- 99 0430 282 04 - Female cable connector, stainless steel locking system, screw clamp connection
- 99 0436 82 05 - Female cable connector, stainless steel locking system, screw clamp connection
- 99 0436 282 05 - Female cable connector, stainless steel locking system, screw clamp connection
- 99 0486 282 08 - Female cable connector, stainless steel locking system, screw clamp connection
- 99 0436 684 05 - Female cable connector, outdoor, screw clamp connection
- 99 0430 142 04 - Female cable duo connector, plastic locking system, screw clamp connection, contact surface optalloy
- 99 0436 142 05 - Female cable duo connector, plastic locking system, screw clamp connection, contact surface optalloy
- 99 0430 287 04 - Female duo cable connector, stainless steel locking system, screw clamp connection, contact surface gold
- 99 0436 287 05 - Female duo cable connector, stainless steel locking system, screw clamp connection, contact surface gold
- 99 0486 287 08 - Female duo cable connector, stainless steel locking system, screw clamp connection, contact surface gold
- 99 1430 812 04 - Female cable connector, screw clamp connection, with shielding ring, shieldable, with die-cast threaded ring
- 99 1430 814 04 - Female cable connector, screw clamp connection, with shielding ring, shieldable, with die-cast threaded ring
- 99 1436 812 05 - Female cable connector, screw clamp connection, with shielding ring, shieldable, with die-cast threaded ring
- 99 1436 814 05 - Female cable connector, screw clamp connection, with shielding ring, shieldable, with die-cast threaded ring

Product description	M12-A/B/D/K/L/S/T/US/X - Protective cap for cable socket; Series 713/715/763/766/813/814/815/825/866/876
Order number	08 2425 010 000

- 99 1486 812 08 - Female cable connector, screw clamp connection, with shielding ring, shieldable, with die-cast threaded ring
- 99 1492 812 12 - Female cable connector, with shielding ring, shieldable, solder termination, with die-cast threaded ring, with offset soldering surfaces
- 99 1436 914 05 - Female cable connector, screw clamp connection, with shielding ring
- 99 1486 914 08 - Female cable connector, screw clamp connection, with shielding ring
- 99 1432 814 04 - Female cable connector, screw clamp connection, iris type spring, shieldable, with die-cast threaded ring
- 99 1438 814 05 - Female cable connector, screw clamp connection, iris type spring, shieldable, with die-cast threaded ring
- 99 1488 812 08 - Female cable connector, screw clamp connection, iris type spring, shieldable, with die-cast threaded ring
- 99 1488 814 08 - Female cable connector, screw clamp connection, iris type spring, shieldable, with die-cast threaded ring
- 99 1430 991 04 - Female cable connector, screw clamp connection, with shielding ring, stainless steel version, shieldable
- 99 1430 992 04 - Female cable connector, screw clamp connection, with shielding ring, stainless steel version, shieldable
- 99 1436 991 05 - Female cable connector, screw clamp connection, with shielding ring, stainless steel version, shieldable
- 99 1436 992 05 - Female cable connector, screw clamp connection, with shielding ring, stainless steel version, shieldable
- 99 1486 992 08 - Female cable connector, screw clamp connection, with shielding ring, stainless steel version, shieldable
- 99 1492 992 12 - Female cable connector, screw clamp connection, with shielding ring, stainless steel version, shieldable
- 99 0524 12 04 - Female cable connector, wire clamp connection
- 99 0524 14 04 - Female cable connector, wire clamp connection
- 99 0536 12 05 - Female cable connector, wire clamp connection
- 99 0536 14 05 - Female cable connector, wire clamp connection
- 99 1526 812 04 - Female cable connector, wire clamp connection, with shielding ring, shieldable, with die-cast threaded ring
- 99 1526 814 04 - Female cable connector, wire clamp connection, with shielding ring, shieldable, with die-cast threaded ring
- 99 1538 812 05 - Female cable connector, wire clamp connection, with shielding ring, shieldable, with die-cast threaded ring
- 99 1538 814 05 - Female cable connector, wire clamp connection, with shielding ring, shieldable, with die-cast threaded ring
- 99 1528 814 04 - Female cable connector, wire clamp connection, iris type spring, shieldable, with die-cast threaded ring
- 99 1540 814 05 - Female cable connector, wire clamp connection, iris type spring, shieldable, with die-cast threaded ring
- 99 0528 14 04 - Female cable connector, IDT connection
- 99 0528 12 04 - Female cable connector, IDT connection
- 99 0530 14 04 - Female cable connector, crimp connection
- 99 0530 12 04 - Female cable connector, crimp connection
- 99 1434 814 04 - Female cable connector, crimp connection, shieldable
- 99 0430 00 04 - Female angled connector, plastic locking system, screw clamp connection
- 99 0430 69 04 - Female angled connector, plastic locking system, screw clamp connection
- 99 0436 00 05 - Female angled connector, plastic locking system, screw clamp connection
- 99 0436 69 05 - Female angled connector, plastic locking system, screw clamp connection
- 99 0430 20 04 - Female angled connector, plastic locking system, screw clamp connection, transparent housing
- 99 0430 68 04 - Female angled connector, plastic locking system, screw clamp connection, transparent housing
- 99 0430 27 04 - Female angled connector, metal locking system, screw clamp connection, solder termination on 12 pol
- 99 0430 161 04 - Female angled connector, metal locking system, screw clamp connection, solder termination on 12 pol
- 99 0430 324 04 - Female angled connector, metal locking system, screw clamp connection, solder termination on 12 pol
- 99 0430 24 04 - Female angled connector, metal locking system, screw clamp connection, solder termination on 12 pol
- 99 0430 52 04 - Female angled connector, metal locking system, screw clamp connection, solder termination on 12 pol
- 99 0436 24 05 - Female angled connector, metal locking system, screw clamp connection, solder termination on 12 pol
- 99 0436 52 05 - Female angled connector, metal locking system, screw clamp connection, solder termination on 12 pol
- 99 0486 52 08 - Female angled connector, metal locking system, screw clamp connection, solder termination on 12 pol
- 99 0492 52 12 - Female angled connector, metal locking system, screw clamp connection, solder termination on 12 pol
- 99 0430 92 04 - Female angled connector, stainless steel locking system, screw clamp connection
- 99 0430 292 04 - Female angled connector, stainless steel locking system, screw clamp connection
- 99 0436 92 05 - Female angled connector, stainless steel locking system, screw clamp connection
- 99 0436 292 05 - Female angled connector, stainless steel locking system, screw clamp connection
- 99 1430 822 04 - Female angled connector, screw clamp connection, with shielding ring, shieldable, solder termination on 12 pol, with die-cast threaded ring
- 99 1430 824 04 - Female angled connector, screw clamp connection, with shielding ring, shieldable, solder termination on 12 pol, with die-cast threaded ring
- 99 1436 822 05 - Female angled connector, screw clamp connection, with shielding ring, shieldable, solder termination on 12 pol, with die-cast threaded ring
- 99 1436 824 05 - Female angled connector, screw clamp connection, with shielding ring, shieldable, solder termination on 12 pol, with die-cast threaded ring
- 99 1486 822 08 - Female angled connector, screw clamp connection, with shielding ring, shieldable, solder termination on 12 pol, with die-cast threaded ring
- 99 1492 822 12 - Female angled connector, screw clamp connection, with shielding ring, shieldable, solder termination on 12 pol, with die-cast threaded ring
- 99 1432 824 04 - Female angled connector, screw clamp connection, iris type spring, shieldable, with die-cast threaded ring
- 99 1438 824 05 - Female angled connector, screw clamp connection, iris type spring, shieldable, with die-cast threaded ring
- 99 1488 824 08 - Female angled connector, screw clamp connection, iris type spring, shieldable, with die-cast threaded ring
- 99 0524 24 04 - Female angled connector, wire clamp connection
- 99 0524 52 04 - Female angled connector, wire clamp connection
- 99 0536 24 05 - Female angled connector, wire clamp connection
- 99 0536 52 05 - Female angled connector, wire clamp connection
- 99 1526 822 04 - Female angled connector, wire clamp connection, with shielding ring, shieldable, with die-cast threaded ring
- 99 1526 824 04 - Female angled connector, wire clamp connection, with shielding ring, shieldable, with die-cast threaded ring

Product description	M12-A/B/D/K/L/S/T/US/X - Protective cap for cable socket; Series 713/715/763/766/813/814/815/825/866/876
Order number	08 2425 010 000

- 99 1538 822 05 - Female angled connector, wire clamp connection, with shielding ring, shieldable, with die-cast threaded ring
- 99 1538 824 05 - Female angled connector, wire clamp connection, with shielding ring, shieldable, with die-cast threaded ring
- 77 3530 0000 50703-0200 - Female cable connector, moulded, shielded, PUR
- 77 3530 0000 50703-0500 - Female cable connector, moulded, shielded, PUR
- 77 3530 0000 50704-0200 - Female cable connector, moulded, shielded, PUR
- 77 3530 0000 50704-0500 - Female cable connector, moulded, shielded, PUR
- 77 3530 0000 50705-0200 - Female cable connector, moulded, shielded, PUR
- 77 3530 0000 50705-0500 - Female cable connector, moulded, shielded, PUR
- 77 3530 0000 50708-0200 - Female cable connector, moulded, shielded, PUR
- 77 3530 0000 50708-0500 - Female cable connector, moulded, shielded, PUR
- 77 3430 0000 50003-0200 - Female cable connector, moulded, PUR
- 77 3430 0000 50003-0500 - Female cable connector, moulded, PUR
- 77 3430 0000 50004-0200 - Female cable connector, moulded, PUR
- 77 3430 0000 50004-0500 - Female cable connector, moulded, PUR
- 77 3430 0000 50005-0200 - Female cable connector, moulded, PUR
- 77 3430 0000 50005-0500 - Female cable connector, moulded, PUR
- 77 3430 0000 50708-0200 - Female cable connector, moulded, PUR
- 77 3430 0000 50708-0500 - Female cable connector, moulded, PUR
- 77 3430 0000 50712-0200 - Female cable connector, moulded, PUR
- 77 3430 0000 50712-0500 - Female cable connector, moulded, PUR
- 77 3430 0000 20003-0200 - Female cable connector, moulded, PVC
- 77 3430 0000 20003-0500 - Female cable connector, moulded, PVC
- 77 3430 0000 20004-0200 - Female cable connector, moulded, PVC
- 77 3430 0000 20004-0500 - Female cable connector, moulded, PVC
- 77 3430 0000 20005-0200 - Female cable connector, moulded, PVC
- 77 3430 0000 20005-0500 - Female cable connector, moulded, PVC
- 77 3430 0000 20708-0200 - Female cable connector, moulded, PVC
- 77 3430 0000 20708-0500 - Female cable connector, moulded, PVC
- 77 3430 0000 20712-0200 - Female cable connector, moulded, PVC
- 77 3430 0000 20712-0500 - Female cable connector, moulded, PVC
- 77 3430 0000 70003-0200 - Female cable connector, moulded, 120 °C
- 77 3430 0000 70003-0500 - Female cable connector, moulded, 120 °C
- 77 3430 0000 70004-0200 - Female cable connector, moulded, 120 °C
- 77 3430 0000 70004-0500 - Female cable connector, moulded, 120 °C
- 77 3430 0000 80003-0200 - Female cable connector, moulded, PUR, for welding applications
- 77 3430 0000 80003-0500 - Female cable connector, moulded, PUR, for welding applications
- 77 3430 0000 80203-0200 - Female cable connector, moulded, PUR, for welding applications
- 77 3430 0000 80203-0500 - Female cable connector, moulded, PUR, for welding applications
- 77 3430 0000 80004-0200 - Female cable connector, moulded, PUR, for welding applications
- 77 3430 0000 80004-0500 - Female cable connector, moulded, PUR, for welding applications
- 77 3430 0000 80204-0200 - Female cable connector, moulded, PUR, for welding applications
- 77 3430 0000 80204-0500 - Female cable connector, moulded, PUR, for welding applications
- 77 3430 0000 80005-0200 - Female cable connector, moulded, PUR, for welding applications
- 77 3430 0000 80005-0500 - Female cable connector, moulded, PUR, for welding applications
- 77 3430 0000 80205-0200 - Female cable connector, moulded, PUR, for welding applications
- 77 3430 0000 80205-0500 - Female cable connector, moulded, PUR, for welding applications
- 77 3530 0000 20703-0200 - Female cable connector, moulded, shielded, PVC
- 77 3530 0000 20703-0500 - Female cable connector, moulded, shielded, PVC
- 77 3530 0000 20704-0200 - Female cable connector, moulded, shielded, PVC
- 77 3530 0000 20704-0500 - Female cable connector, moulded, shielded, PVC
- 77 3530 0000 20705-0200 - Female cable connector, moulded, shielded, PVC
- 77 3530 0000 20705-0500 - Female cable connector, moulded, shielded, PVC
- 77 3530 0000 20708-0200 - Female cable connector, moulded, shielded, PVC
- 77 3530 0000 20708-0500 - Female cable connector, moulded, shielded, PVC
- 77 3730 0000 50003-0200 - Female cable connector, moulded, stainless steel locking system, PUR
- 77 3730 0000 50003-0500 - Female cable connector, moulded, stainless steel locking system, PUR
- 77 3730 0000 50004-0200 - Female cable connector, moulded, stainless steel locking system, PUR
- 77 3730 0000 50004-0500 - Female cable connector, moulded, stainless steel locking system, PUR
- 77 3730 0000 50005-0200 - Female cable connector, moulded, stainless steel locking system, PUR
- 77 3730 0000 50005-0500 - Female cable connector, moulded, stainless steel locking system, PUR
- 77 3730 0000 50708-0200 - Female cable connector, moulded, stainless steel locking system, PUR
- 77 3730 0000 50708-0500 - Female cable connector, moulded, stainless steel locking system, PUR
- 77 3630 0000 50003-0200 - Female cable connector, moulded, with LED, PNP
- 77 3630 0000 50003-0500 - Female cable connector, moulded, with LED, PNP
- 77 3630 0000 50004-0200 - Female cable connector, moulded, with LED, PNP
- 77 3630 0000 50004-0500 - Female cable connector, moulded, with LED, PNP
- 77 3630 0000 20003-0200 - Female cable connector, moulded, with LED, PNP
- 77 3630 0000 20003-0500 - Female cable connector, moulded, with LED, PNP
- 77 3630 0000 20004-0200 - Female cable connector, moulded, with LED, PNP
- 77 3630 0000 20004-0500 - Female cable connector, moulded, with LED, PNP

Product description	M12-A/B/D/K/L/S/T/US/X - Protective cap for cable socket; Series 713/715/763/766/813/814/815/825/866/876
Order number	08 2425 010 000

- thread locking, for food and beverage, FDA conform
- 77 3734 3727 40912-0200 - Connecting cable, male angled cable connector M12 x 1 - female angled cable connector M12 x 1, PP grey, stainless steel
- thread locking, for food and beverage, FDA conform
- 77 3734 3727 40912-0500 - Connecting cable, male angled cable connector M12 x 1 - female angled cable connector M12 x 1, PP grey, stainless steel
- thread locking, for food and beverage, FDA conform
- 77 0606 0605 50704-0200 - Connecting cable, male cable connector M12 x 1 - female cable connector M12 x 1, PUR, Power
- 77 0606 0605 50704-0500 - Connecting cable, male cable connector M12 x 1 - female cable connector M12 x 1, PUR, Power
- 99 1434 810 04 - Female cable connector, crimp connection
- 99 0430 25 04 - Female cable connector, metal locking system, screw clamp connection
- 99 0430 225 04 - Female cable connector, metal locking system, screw clamp connection
- 99 0436 25 05 - Female cable connector, metal locking system, screw clamp connection
- 99 0436 225 05 - Female cable connector, metal locking system, screw clamp connection
- 99 1430 810 04 - Female cable connector, screw clamp connection, with shielding ring, shieldable, with die-cast threaded ring
- 99 1436 810 05 - Female cable connector, screw clamp connection, with shielding ring, shieldable, with die-cast threaded ring
- 99 1436 910 05 - Female cable connector, screw clamp connection, with shielding ring, shieldable, with die-cast threaded ring
- 99 1436 935 05 - Female cable connector, screw clamp connection, with shielding ring, shieldable, with die-cast threaded ring
- 99 1438 810 05 - Female cable connector, screw clamp connection, iris type spring, shieldable, with die-cast threaded ring
- 99 1438 910 05 - Female cable connector, screw clamp connection, iris type spring, shieldable, with die-cast threaded ring
- 99 1430 995 04 - Female cable connector, screw clamp connection, with shielding ring, stainless steel version, shieldable
- 99 1436 995 05 - Female cable connector, screw clamp connection, with shielding ring, stainless steel version, shieldable
- 99 1536 810 05 - Female cable connector, wire clamp connection, with shielding ring, shieldable, with die-cast threaded ring
- 99 1536 910 05 - Female cable connector, wire clamp connection, with shielding ring, shieldable, with die-cast threaded ring
- 99 1534 810 05 - Female cable connector, wire clamp connection, iris type spring, shieldable, with die-cast threaded ring
- 99 1534 910 05 - Female cable connector, wire clamp connection, iris type spring, shieldable, with die-cast threaded ring
- 99 0430 135 04 - Female angled connector, metal locking system, screw clamp connection
- 99 0430 235 04 - Female angled connector, metal locking system, screw clamp connection
- 99 0436 135 05 - Female angled connector, metal locking system, screw clamp connection
- 99 0436 235 05 - Female angled connector, metal locking system, screw clamp connection
- 99 1430 820 04 - Female angled connector, screw clamp connection, with shielding ring, shieldable, with die-cast threaded ring
- 99 1436 820 05 - Female angled connector, screw clamp connection, with shielding ring, shieldable, with die-cast threaded ring
- 99 1436 920 05 - Female angled connector, screw clamp connection, with shielding ring, shieldable, with die-cast threaded ring
- 99 1438 820 05 - Female angled connector, screw clamp connection, iris type spring, shieldable, with die-cast threaded ring
- 99 1536 820 05 - Female angled connector, wire clamp connection, with shielding ring, shieldable, with die-cast threaded ring
- 99 1536 920 05 - Female angled connector, wire clamp connection, with shielding ring, shieldable, with die-cast threaded ring
- 99 0430 15 04 - Female cable connector, plastic locking system, screw clamp termination
- 99 0430 110 04 - Female cable connector, plastic locking system, screw clamp termination
- 99 0436 15 05 - Female cable connector, plastic locking system, screw clamp termination
- 99 0436 110 05 - Female cable connector, plastic locking system, screw clamp termination
- 99 1434 820 04 - Female angled connector, crimp connection, shieldable
- 77 4430 0000 50003-0200 - Female cable connector, moulded, PUR (black)
- 77 4430 0000 50003-0500 - Female cable connector, moulded, PUR (black)
- 77 4430 0000 50004-0200 - Female cable connector, moulded, PUR (black)
- 77 4430 0000 50004-0500 - Female cable connector, moulded, PUR (black)
- 77 4430 0000 50005-0200 - Female cable connector, moulded, PUR (black)
- 77 4430 0000 50005-0500 - Female cable connector, moulded, PUR (black)
- 77 4430 0000 20003-0200 - Female cable connector, moulded, PVC (grey)
- 77 4430 0000 20003-0500 - Female cable connector, moulded, PVC (grey)
- 77 4430 0000 20004-0200 - Female cable connector, moulded, PVC (grey)
- 77 4430 0000 20004-0500 - Female cable connector, moulded, PVC (grey)
- 77 4430 0000 20005-0200 - Female cable connector, moulded, PVC (grey)
- 77 4430 0000 20005-0500 - Female cable connector, moulded, PVC (grey)
- 77 4434 0000 50003-0200 - Female angled connector, moulded, PUR (black)
- 77 4434 0000 50003-0500 - Female angled connector, moulded, PUR (black)
- 77 4434 0000 50004-0200 - Female angled connector, moulded, PUR (black)
- 77 4434 0000 50004-0500 - Female angled connector, moulded, PUR (black)
- 77 4434 0000 50005-0200 - Female angled connector, moulded, PUR (black)
- 77 4434 0000 50005-0500 - Female angled connector, moulded, PUR (black)
- 77 4434 0000 20003-0200 - Female angled connector, moulded, PVC (grey)
- 77 4434 0000 20003-0500 - Female angled connector, moulded, PVC (grey)
- 77 4434 0000 20004-0200 - Female angled connector, moulded, PVC (grey)
- 77 4434 0000 20004-0500 - Female angled connector, moulded, PVC (grey)
- 77 4434 0000 20005-0200 - Female angled connector, moulded, PVC (grey)
- 77 4434 0000 20005-0500 - Female angled connector, moulded, PVC (grey)
- 77 4330 0000 60702-0200 - Female cable connector, PROFIBUS
- 77 4330 0000 60702-0500 - Female cable connector, PROFIBUS
- 77 4330 0000 60702-1000 - Female cable connector, PROFIBUS
- 09 5245 00 04 - Adapter lead-through for control cabinet, shielded
- 09 5246 00 04 - Adapter lead-through for control cabinet, female/female, shielded
- 79 9724 020 08 - Connecting cable, male cable connector M12 x 1 - female cable connector M12 x 1, shielded
- 79 9724 050 08 - Connecting cable, male cable connector M12 x 1 - female cable connector M12 x 1, shielded

Product description	M12-A/B/D/K/L/S/T/US/X - Protective cap for cable socket; Series 713/715/763/766/813/814/815/825/866/876
Order number	08 2425 010 000

- 79 9724 100 08 - Connecting cable, male cable connector M12 x 1 – female cable connector M12 x 1, shielded
- 09 5286 00 08 - Adapter lead-through for control cabinet, female/female, shielded
- 09 5287 00 08 - Adapter lead-through for control cabinet, female – RJ45 straight
- 09 5288 00 08 - Adapter lead-through for control cabinet, female – RJ45 angled
- 99 0686 19 03 - Female cable connector, power, S-Coding
- 99 0690 19 04 - Female cable connector, power, S-Coding
- 99 0690 32 04 - Female cable connector, power, S-Coding
- 99 0690 58 04 - Female angled connector, power, S-Coding
- 77 0690 0000 50704-0500 - Female cable connector, power, S-Coding
- 77 0690 0000 50704-0200 - Female cable connector, power, S-Coding
- 77 0690 0000 50703-0500 - Female cable connector, power, S-Coding
- 77 0690 0000 50703-0200 - Female cable connector, power, S-Coding
- 77 0694 0000 50704-0500 - Female angled connector, power, S-Coding
- 77 0694 0000 50704-0200 - Female angled connector, power, S-Coding
- 99 0700 29 05 - Female cable connector, K-Coding, screw terminal connection
- 99 0630 19 04 - Female cable connector, POWER, T-coding
- 99 1632 814 04 - Female cable connector, POWER, iris type spring, T-Coding, shieldable
- 99 1632 812 04 - Female cable connector, POWER, iris type spring, T-Coding, shieldable
- 99 0630 58 04 - Female angled connector, POWER, T-Coding
- 99 0640 58 05 - M12-L female angled connector, 8-13 mm, not shielded, screw clamp, IP67, M12x1.0, for the power supply
- 99 0640 29 05 - Female cable connector, L-coding, with IDT connection, Power
- 99 2530 14 03 - Female cable connector M12 x 1
- 99 2430 12 03 - Female cable connector ½ " UNF
- 99 2530 24 03 - Female angled connector M12 x 1
- 99 2430 24 03 - Female angled connector ½ " UNF
- 99 2430 52 03 - Female angled connector ½ " UNF
- 99 0486 29 08 - Female cable connector, metal locking system, screw clamp connection, solder termination on 12 pol
- 99 0430 57 04 - Female cable connector, plastic locking system, screw clamp connection, transparent housing