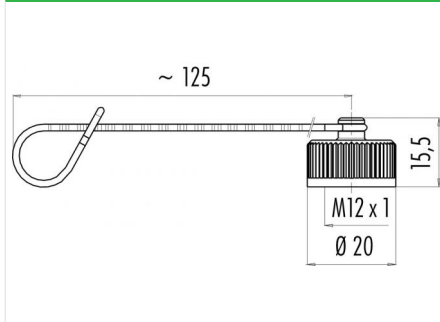


Product description	Protection cap for male cable connector
Order number	08 2424 010 000

Illustration



Scale drawing



Technical data

Temperature range	-40°C bis +85°C
Degree of protection	IP67
Material protective cap	PA
Strap material	PUR
Material seal	Neoprene (standard)

Matching products

- 99 0429 82 04 - Male cable connector, stainless steel locking system, screw clamp connection
- 99 0429 282 04 - Male cable connector, stainless steel locking system, screw clamp connection
- 99 0437 82 05 - Male cable connector, stainless steel locking system, screw clamp connection
- 99 0437 282 05 - Male cable connector, stainless steel locking system, screw clamp connection
- 99 0487 282 08 - Male cable connector, stainless steel locking system, screw clamp connection
- 99 0429 142 04 - Male cable duo connector, plastic locking system, screw clamp connection
- 99 0437 142 05 - Male cable duo connector, plastic locking system, screw clamp connection
- 99 0429 186 04 - Male cable duo connector, metal locking system, screw clamp connection
- 99 0437 186 05 - Male cable duo connector, metal locking system, screw clamp connection
- 99 0487 186 08 - Male cable duo connector, metal locking system, screw clamp connection
- 99 0429 287 04 - Male duo cable connector, stainless steel locking system, screw clamp connection
- 99 0437 287 05 - Male duo cable connector, stainless steel locking system, screw clamp connection
- 99 0487 287 08 - Male duo cable connector, stainless steel locking system, screw clamp connection
- 99 1429 812 04 - Male cable connector, screw clamp connection, with shielding ring, with die-cast threaded ring, solder termination on 12 pol
- 99 1429 814 04 - Male cable connector, screw clamp connection, with shielding ring, with die-cast threaded ring, solder termination on 12 pol
- 99 1437 812 05 - Male cable connector, screw clamp connection, with shielding ring, with die-cast threaded ring, solder termination on 12 pol
- 99 1437 814 05 - Male cable connector, screw clamp connection, with shielding ring, with die-cast threaded ring, solder termination on 12 pol
- 99 1487 812 08 - Male cable connector, screw clamp connection, with shielding ring, with die-cast threaded ring, solder termination on 12 pol
- 99 1487 814 08 - Male cable connector, screw clamp connection, with shielding ring, with die-cast threaded ring, solder termination on 12 pol
- 99 1491 812 12 - Male cable connector, screw clamp connection, with shielding ring with die-cast threaded ring, shieldable, solder termination on 12 pol, with offset soldering planes
- 99 1437 914 05 - Male cable connector, screw clamp connection, with shielding ring
- 99 1487 914 08 - Male cable connector, screw clamp connection, with shielding ring
- 99 1431 814 04 - Male cable connector, screw clamp connection, iris type spring, with die-cast threaded ring, shieldable
- 99 1439 814 05 - Male cable connector, screw clamp connection, iris type spring, with die-cast threaded ring, shieldable
- 99 1489 812 08 - Male cable connector, screw clamp connection, iris type spring, with die-cast threaded ring, shieldable
- 99 1489 814 08 - Male cable connector, screw clamp connection, iris type spring, with die-cast threaded ring, shieldable
- 99 1429 991 04 - Male cable connector, screw clamp connection, with shielding ring, stainless steel version, shieldable
- 99 1429 992 04 - Male cable connector, screw clamp connection, with shielding ring, stainless steel version, shieldable
- 99 1437 991 05 - Male cable connector, screw clamp connection, with shielding ring, stainless steel version, shieldable

Product description **Protection cap for male cable connector**

Order number **08 2424 010 000**

- 99 1437 992 05 - Male cable connector, screw clamp connection, with shielding ring, stainless steel version, shieldable
- 99 1487 992 08 - Male cable connector, screw clamp connection, with shielding ring, stainless steel version, shieldable
- 99 0525 12 04 - Male cable connector, wire clamp connection
- 99 0525 14 04 - Male cable connector, wire clamp connection
- 99 0537 12 05 - Male cable connector, wire clamp connection
- 99 0537 14 05 - Male cable connector, wire clamp connection
- 99 1525 812 04 - Male cable connector, wire clamp connection, with shielding ring, shieldable, with die-cast threaded ring
- 99 1525 814 04 - Male cable connector, wire clamp connection, with shielding ring, shieldable, with die-cast threaded ring
- 99 1537 812 05 - Male cable connector, wire clamp connection, with shielding ring, shieldable, with die-cast threaded ring
- 99 1537 814 05 - Male cable connector, wire clamp connection, with shielding ring, shieldable, with die-cast threaded ring
- 99 1527 814 04 - Male cable connector, wire clamp connection, iris type spring, shieldable, with die-cast threaded ring
- 99 1539 814 05 - Male cable connector, wire clamp connection, iris type spring, shieldable, with die-cast threaded ring
- 99 0527 12 04 - Male cable connector, IDT connection
- 99 0527 14 04 - Male cable connector, IDT connection
- 99 0529 12 04 - Male cable connector, crimp connection
- 99 0529 14 04 - Male cable connector, crimp connection
- 99 1433 814 04 - Male cable connector, crimp connection, shieldable
- 99 0429 44 04 - Male angled connector, plastic locking system, screw clamp connection
- 99 0429 69 04 - Male angled connector, plastic locking system, screw clamp connection
- 99 0437 44 05 - Male angled connector, plastic locking system, screw clamp connection
- 99 0437 69 05 - Male angled connector, plastic locking system, screw clamp connection
- 99 0429 24 04 - Male angled connector, metal locking system, screw clamp connection, solder termination on 12 pol
- 99 0429 27 04 - Male angled connector, metal locking system, screw clamp connection, solder termination on 12 pol
- 99 0429 52 04 - Male angled connector, metal locking system, screw clamp connection, solder termination on 12 pol
- 99 0429 161 04 - Male angled connector, metal locking system, screw clamp connection, solder termination on 12 pol
- 99 0429 324 04 - Male angled connector, metal locking system, screw clamp connection, solder termination on 12 pol
- 99 0437 24 05 - Male angled connector, metal locking system, screw clamp connection, solder termination on 12 pol
- 99 0437 52 05 - Male angled connector, metal locking system, screw clamp connection, solder termination on 12 pol
- 99 0487 52 08 - Male angled connector, metal locking system, screw clamp connection, solder termination on 12 pol
- 99 0491 52 12 - Male angled connector, metal locking system, screw clamp connection, solder termination on 12 pol
- 99 0429 92 04 - Male angled connector, stainless steel locking system, screw clamp connection
- 99 0429 292 04 - Male angled connector, stainless steel locking system, screw clamp connection
- 99 0437 292 05 - Male angled connector, stainless steel locking system, screw clamp connection
- 99 0429 162 04 - Male angled duo connector, plastic locking system, screw clamp connection
- 99 0437 162 05 - Male angled duo connector, plastic locking system, screw clamp connection
- 99 0429 286 04 - Male angled duo connector, metal locking system, screw clamp connection
- 99 0437 286 05 - Male angled duo connector, metal locking system, screw clamp connection
- 99 1429 822 04 - Male angled connector, screw clamp connection, with shielding ring, with die-cast threaded ring, shieldable, solder termination on 12 pol
- 99 1429 824 04 - Male angled connector, screw clamp connection, with shielding ring, with die-cast threaded ring, shieldable, solder termination on 12 pol
- 99 1437 822 05 - Male angled connector, screw clamp connection, with shielding ring, with die-cast threaded ring, shieldable, solder termination on 12 pol
- 99 1437 824 05 - Male angled connector, screw clamp connection, with shielding ring, with die-cast threaded ring, shieldable, solder termination on 12 pol
- 99 1487 822 08 - Male angled connector, screw clamp connection, with shielding ring, with die-cast threaded ring, shieldable, solder termination on 12 pol
- 99 1491 822 12 - Male angled connector, screw clamp connection, with shielding ring, with die-cast threaded ring, shieldable, solder termination on 12 pol
- 99 1431 824 04 - Male angled connector, screw clamp connection, iris type spring, shieldable, with die-cast threaded ring
- 99 1439 824 05 - Male angled connector, screw clamp connection, iris type spring, shieldable, with die-cast threaded ring
- 99 1489 824 08 - Male angled connector, screw clamp connection, iris type spring, shieldable, with die-cast threaded ring
- 99 0525 24 04 - Male angled connector, wire clamp connection
- 99 0525 52 04 - Male angled connector, wire clamp connection
- 99 0537 24 05 - Male angled connector, wire clamp connection
- 99 0537 52 05 - Male angled connector, wire clamp connection
- 99 1525 822 04 - Male angled connector, wire clamp connection, with shielding ring, shieldable, with die-cast threaded ring
- 99 1525 824 04 - Male angled connector, wire clamp connection, with shielding ring, shieldable, with die-cast threaded ring
- 99 1537 822 05 - Male angled connector, wire clamp connection, with shielding ring, shieldable, with die-cast threaded ring
- 99 1537 824 05 - Male angled connector, wire clamp connection, with shielding ring, shieldable, with die-cast threaded ring
- 99 0429 43 04 - Male cable connector, plastic locking system, screw clamp connection
- 99 0429 57 04 - Male cable connector, plastic locking system, screw clamp connection
- 99 0437 43 05 - Male cable connector, plastic locking system, screw clamp connection
- 99 0437 57 05 - Male cable connector, plastic locking system, screw clamp connection
- 99 0429 07 04 - Male cable connector, metal locking system, screw clamp connection, solder termination on 12 pol
- 99 0429 158 04 - Male cable connector, metal locking system, screw clamp connection, solder termination on 12 pol
- 99 0429 314 04 - Male cable connector, metal locking system, screw clamp connection, solder termination on 12 pol
- 99 0429 14 04 - Male cable connector, metal locking system, screw clamp connection, solder termination on 12 pol
- 99 0429 12 04 - Male cable connector, metal locking system, screw clamp connection, solder termination on 12 pol
- 99 0437 14 05 - Male cable connector, metal locking system, screw clamp connection, solder termination on 12 pol

Product description	Protection cap for male cable connector
Order number	08 2424 010 000

- 99 0437 12 05 - Male cable connector, metal locking system, screw clamp connection, solder termination on 12 pol
- 99 0487 12 08 - Male cable connector, metal locking system, screw clamp connection, solder termination on 12 pol
- 99 0491 12 12 - Male cable connector, metal locking system, screw clamp connection, solder termination on 12 pol
- 99 1433 824 04 - Male angled connector, crimp connection, shieldable
- 99 0529 24 04 - Male angled connector, crimp connection
- 99 0529 52 04 - Male angled connector, crimp connection
- 77 3429 0000 20003-0200 - Male cable connector, moulded, PVC
- 77 3429 0000 20003-0500 - Male cable connector, moulded, PVC
- 77 3429 0000 20004-0200 - Male cable connector, moulded, PVC
- 77 3429 0000 20004-0500 - Male cable connector, moulded, PVC
- 77 3429 0000 20005-0200 - Male cable connector, moulded, PVC
- 77 3429 0000 20005-0500 - Male cable connector, moulded, PVC
- 77 3429 0000 20708-0200 - Male cable connector, moulded, PVC
- 77 3429 0000 20708-0500 - Male cable connector, moulded, PVC
- 77 3429 0000 20712-0200 - Male cable connector, moulded, PVC
- 77 3429 0000 20712-0500 - Male cable connector, moulded, PVC
- 77 3429 0000 50003-0200 - Male cable connector, moulded, PUR
- 77 3429 0000 50003-0500 - Male cable connector, moulded, PUR
- 77 3429 0000 50004-0200 - Male cable connector, moulded, PUR
- 77 3429 0000 50004-0500 - Male cable connector, moulded, PUR
- 77 3429 0000 50005-0200 - Male cable connector, moulded, PUR
- 77 3429 0000 50005-0500 - Male cable connector, moulded, PUR
- 77 3429 0000 50708-0200 - Male cable connector, moulded, PUR
- 77 3429 0000 50708-0500 - Male cable connector, moulded, PUR
- 77 3429 0000 50712-0200 - Male cable connector, moulded, PUR
- 77 3429 0000 50712-0500 - Male cable connector, moulded, PUR
- 77 3429 0000 80003-0200 - Male cable connector, moulded, PUR, for welding applications
- 77 3429 0000 80003-0500 - Male cable connector, moulded, PUR, for welding applications
- 77 3429 0000 80203-0200 - Male cable connector, moulded, PUR, for welding applications
- 77 3429 0000 80203-0500 - Male cable connector, moulded, PUR, for welding applications
- 77 3429 0000 80004-0200 - Male cable connector, moulded, PUR, for welding applications
- 77 3429 0000 80004-0500 - Male cable connector, moulded, PUR, for welding applications
- 77 3429 0000 80204-0200 - Male cable connector, moulded, PUR, for welding applications
- 77 3429 0000 80204-0500 - Male cable connector, moulded, PUR, for welding applications
- 77 3429 0000 80005-0200 - Male cable connector, moulded, PUR, for welding applications
- 77 3429 0000 80005-0500 - Male cable connector, moulded, PUR, for welding applications
- 77 3429 0000 80205-0200 - Male cable connector, moulded, PUR, for welding applications
- 77 3429 0000 80205-0500 - Male cable connector, moulded, PUR, for welding applications
- 77 3529 0000 50703-0200 - Male cable connector, moulded, shielded, PUR
- 77 3529 0000 50703-0500 - Male cable connector, moulded, shielded, PUR
- 77 3529 0000 50704-0200 - Male cable connector, moulded, shielded, PUR
- 77 3529 0000 50704-0500 - Male cable connector, moulded, shielded, PUR
- 77 3529 0000 50705-0200 - Male cable connector, moulded, shielded, PUR
- 77 3529 0000 50705-0500 - Male cable connector, moulded, shielded, PUR
- 77 3529 0000 50708-0200 - Male cable connector, moulded, shielded, PUR
- 77 3529 0000 50708-0500 - Male cable connector, moulded, shielded, PUR
- 77 3529 0000 20703-0200 - Male cable connector, moulded, shielded, PVC
- 77 3529 0000 20703-0500 - Male cable connector, moulded, shielded, PVC
- 77 3529 0000 20704-0200 - Male cable connector, moulded, shielded, PVC
- 77 3529 0000 20704-0500 - Male cable connector, moulded, shielded, PVC
- 77 3529 0000 20705-0200 - Male cable connector, moulded, shielded, PVC
- 77 3529 0000 20705-0500 - Male cable connector, moulded, shielded, PVC
- 77 3529 0000 20708-0200 - Male cable connector, moulded, shielded, PVC
- 77 3529 0000 20708-0500 - Male cable connector, moulded, shielded, PVC
- 77 3729 0000 50003-0200 - Male cable connector, moulded, stainless steel locking system, PUR
- 77 3729 0000 50003-0500 - Male cable connector, moulded, stainless steel locking system, PUR
- 77 3729 0000 50004-0200 - Male cable connector, moulded, stainless steel locking system, PUR
- 77 3729 0000 50004-0500 - Male cable connector, moulded, stainless steel locking system, PUR
- 77 3729 0000 50005-0200 - Male cable connector, moulded, stainless steel locking system, PUR
- 77 3729 0000 50005-0500 - Male cable connector, moulded, stainless steel locking system, PUR
- 77 3729 0000 50708-0200 - Male cable connector, moulded, stainless steel locking system, PUR
- 77 3729 0000 50708-0500 - Male cable connector, moulded, stainless steel locking system, PUR
- 77 3427 0000 50003-0200 - Male angled connector, overmoulded, PUR
- 77 3427 0000 50003-0500 - Male angled connector, overmoulded, PUR
- 77 3427 0000 50004-0200 - Male angled connector, overmoulded, PUR
- 77 3427 0000 50004-0500 - Male angled connector, overmoulded, PUR
- 77 3427 0000 50005-0200 - Male angled connector, overmoulded, PUR
- 77 3427 0000 50005-0500 - Male angled connector, overmoulded, PUR
- 77 3427 0000 50708-0200 - Male angled connector, overmoulded, PUR
- 77 3427 0000 50708-0500 - Male angled connector, overmoulded, PUR

Product description	Protection cap for male cable connector
Order number	08 2424 010 000

- 77 3427 0000 50712-0200 - Male angled connector, overmoulded, PUR
- 77 3427 0000 50712-0500 - Male angled connector, overmoulded, PUR
- 77 3427 0000 20003-0200 - Male angled connector, moulded, PVC
- 77 3427 0000 20003-0500 - Male angled connector, moulded, PVC
- 77 3427 0000 20004-0200 - Male angled connector, moulded, PVC
- 77 3427 0000 20004-0500 - Male angled connector, moulded, PVC
- 77 3427 0000 20005-0200 - Male angled connector, moulded, PVC
- 77 3427 0000 20005-0500 - Male angled connector, moulded, PVC
- 77 3427 0000 20708-0200 - Male angled connector, moulded, PVC
- 77 3427 0000 20708-0500 - Male angled connector, moulded, PVC
- 77 3427 0000 20712-0200 - Male angled connector, moulded, PVC
- 77 3427 0000 20712-0500 - Male angled connector, moulded, PVC
- 77 3427 0000 80003-0200 - Male angled connector, moulded, PUR, for welding applications
- 77 3427 0000 80003-0500 - Male angled connector, moulded, PUR, for welding applications
- 77 3427 0000 80203-0200 - Male angled connector, moulded, PUR, for welding applications
- 77 3427 0000 80203-0500 - Male angled connector, moulded, PUR, for welding applications
- 77 3427 0000 80004-0200 - Male angled connector, moulded, PUR, for welding applications
- 77 3427 0000 80004-0500 - Male angled connector, moulded, PUR, for welding applications
- 77 3427 0000 80204-0200 - Male angled connector, moulded, PUR, for welding applications
- 77 3427 0000 80204-0500 - Male angled connector, moulded, PUR, for welding applications
- 77 3427 0000 80005-0200 - Male angled connector, moulded, PUR, for welding applications
- 77 3427 0000 80005-0500 - Male angled connector, moulded, PUR, for welding applications
- 77 3427 0000 80205-0200 - Male angled connector, moulded, PUR, for welding applications
- 77 3427 0000 80205-0500 - Male angled connector, moulded, PUR, for welding applications
- 77 3527 0000 50703-0200 - Male angled connector, moulded, shielded, PUR
- 77 3527 0000 50703-0500 - Male angled connector, moulded, shielded, PUR
- 77 3527 0000 50704-0200 - Male angled connector, moulded, shielded, PUR
- 77 3527 0000 50704-0500 - Male angled connector, moulded, shielded, PUR
- 77 3527 0000 50705-0200 - Male angled connector, moulded, shielded, PUR
- 77 3527 0000 50705-0500 - Male angled connector, moulded, shielded, PUR
- 77 3527 0000 50708-0200 - Male angled connector, moulded, shielded, PUR
- 77 3527 0000 50708-0500 - Male angled connector, moulded, shielded, PUR
- 77 3527 0000 20703-0200 - Male angled connector, moulded, shielded, PVC
- 77 3527 0000 20703-0500 - Male angled connector, moulded, shielded, PVC
- 77 3527 0000 20704-0200 - Male angled connector, moulded, shielded, PVC
- 77 3527 0000 20704-0500 - Male angled connector, moulded, shielded, PVC
- 77 3527 0000 20705-0200 - Male angled connector, moulded, shielded, PVC
- 77 3527 0000 20705-0500 - Male angled connector, moulded, shielded, PVC
- 77 3527 0000 20708-0200 - Male angled connector, moulded, shielded, PVC
- 77 3527 0000 20708-0500 - Male angled connector, moulded, shielded, PVC
- 77 3727 0000 50003-0200 - Male angled connector, moulded, stainless steel locking system, PUR
- 77 3727 0000 50003-0500 - Male angled connector, moulded, stainless steel locking system, PUR
- 77 3727 0000 50004-0200 - Male angled connector, moulded, stainless steel locking system, PUR
- 77 3727 0000 50004-0500 - Male angled connector, moulded, stainless steel locking system, PUR
- 77 3727 0000 50005-0200 - Male angled connector, moulded, stainless steel locking system, PUR
- 77 3727 0000 50005-0500 - Male angled connector, moulded, stainless steel locking system, PUR
- 77 3727 0000 50708-0200 - Male angled connector, moulded, stainless steel locking system, PUR
- 77 3727 0000 50708-0500 - Male angled connector, moulded, stainless steel locking system, PUR
- 77 3627 0000 50003-0200 - Male angled connector, moulded, with LED, PNP
- 77 3627 0000 50003-0500 - Male angled connector, moulded, with LED, PNP
- 77 3627 0000 50004-0200 - Male angled connector, moulded, with LED, PNP
- 77 3627 0000 50004-0500 - Male angled connector, moulded, with LED, PNP
- 77 3627 0000 20003-0200 - Male angled connector, moulded, with LED, PNP
- 77 3627 0000 20003-0500 - Male angled connector, moulded, with LED, PNP
- 77 3627 0000 20004-0200 - Male angled connector, moulded, with LED, PNP
- 77 3627 0000 20004-0500 - Male angled connector, moulded, with LED, PNP
- 77 9839 0000 00005 - Male terminating connector, CAN-Bus
- 99 0429 19 04 - Male cable connector with A-coding, Power
- 99 0437 19 05 - Male cable connector with A-coding, Power
- 99 0429 58 04 - Male angled connector with A-coding, Power
- 99 0437 58 05 - Male angled connector with A-coding, Power
- 77 0605 0000 50704-0200 - Male cable connector, moulded, PUR, Power
- 77 0605 0000 50704-0500 - Male cable connector, moulded, PUR, Power
- 77 3729 0000 20403-0200 - Male cable connector, moulded, PVC, stainless steel locking ring, Food and Beverage
- 77 3729 0000 20403-0500 - Male cable connector, moulded, PVC, stainless steel locking ring, Food and Beverage
- 77 3729 0000 20404-0200 - Male cable connector, moulded, PVC, stainless steel locking ring, Food and Beverage
- 77 3729 0000 20404-0500 - Male cable connector, moulded, PVC, stainless steel locking ring, Food and Beverage
- 77 3729 0000 20405-0200 - Male cable connector, moulded, PVC, stainless steel locking ring, Food and Beverage
- 77 3729 0000 20405-0500 - Male cable connector, moulded, PVC, stainless steel locking ring, Food and Beverage
- 77 3729 0000 20908-0200 - Male cable connector, moulded, PVC, stainless steel locking ring, Food and Beverage

Product description	Protection cap for male cable connector
Order number	08 2424 010 000

- 99 1533 810 05 - Male cable connector, wire clamp connection, iris type spring, shieldable, with die-cast threaded ring
- 99 1533 910 05 - Male cable connector, wire clamp connection, iris type spring, shieldable, with die-cast threaded ring
- 99 0429 135 04 - Male angled connector, metal locking system, screw clamp connection
- 99 0429 145 04 - Male angled connector, metal locking system, screw clamp connection
- 99 0437 135 05 - Male angled connector, metal locking system, screw clamp connection
- 99 0437 145 05 - Male angled connector, metal locking system, screw clamp connection
- 99 1429 820 04 - Male angled connector, screw clamp connection, with shielding ring, shieldable with, die-cast threaded ring
- 99 1437 820 05 - Male angled connector, screw clamp connection, with shielding ring, shieldable with, die-cast threaded ring
- 99 1437 920 05 - Male angled connector, screw clamp connection, with shielding ring, shieldable with, die-cast threaded ring
- 99 1439 820 05 - Male angled connector, screw clamp connection, iris type spring, shieldable, with die-cast threaded ring
- 99 1535 820 05 - Male angled connector, wire clamp connection, with shielding ring, shieldable with, die-cast threaded ring
- 99 1535 920 05 - Male angled connector, wire clamp connection, with shielding ring, shieldable with, die-cast threaded ring
- 99 1433 820 04 - Male angled connector, crimp connection, shieldable
- 77 4429 0000 50003-0200 - Male cable connector, moulded, PUR (black)
- 77 4429 0000 50003-0500 - Male cable connector, moulded, PUR (black)
- 77 4429 0000 50004-0200 - Male cable connector, moulded, PUR (black)
- 77 4429 0000 50004-0500 - Male cable connector, moulded, PUR (black)
- 77 4429 0000 50005-0200 - Male cable connector, moulded, PUR (black)
- 77 4429 0000 50005-0500 - Male cable connector, moulded, PUR (black)
- 77 4429 0000 20003-0200 - Male cable connector, moulded, PVC (grey)
- 77 4429 0000 20003-0500 - Male cable connector, moulded, PVC (grey)
- 77 4429 0000 20004-0200 - Male cable connector, moulded, PVC (grey)
- 77 4429 0000 20004-0500 - Male cable connector, moulded, PVC (grey)
- 77 4429 0000 20005-0200 - Male cable connector, moulded, PVC (grey)
- 77 4429 0000 20005-0500 - Male cable connector, moulded, PVC (grey)
- 77 4427 0000 50003-0200 - Male angled connector, moulded, PUR (black)
- 77 4427 0000 50003-0500 - Male angled connector, moulded, PUR (black)
- 77 4427 0000 50004-0200 - Male angled connector, moulded, PUR (black)
- 77 4427 0000 50004-0500 - Male angled connector, moulded, PUR (black)
- 77 4427 0000 50005-0200 - Male angled connector, moulded, PUR (black)
- 77 4427 0000 50005-0500 - Male angled connector, moulded, PUR (black)
- 77 4427 0000 20003-0200 - Male angled connector, moulded, PVC (grey)
- 77 4427 0000 20003-0500 - Male angled connector, moulded, PVC (grey)
- 77 4427 0000 20004-0200 - Male angled connector, moulded, PVC (grey)
- 77 4427 0000 20004-0500 - Male angled connector, moulded, PVC (grey)
- 77 4427 0000 20005-0200 - Male angled connector, moulded, PVC (grey)
- 77 4427 0000 20005-0500 - Male angled connector, moulded, PVC (grey)
- 77 4329 0000 60702-0200 - Male cable connector, PROFIBUS
- 77 4329 0000 60702-0500 - Male cable connector, PROFIBUS
- 77 4329 0000 60702-1000 - Male cable connector, PROFIBUS
- 77 9835 0000 00004 - Male terminating connector, PROFIBUS
- 99 3729 810 04 - Male cable connector, CAT 5, screw clamp connection, with shielding ring, shieldable, with die-cast threaded ring
- 99 3727 810 04 - Male cable connector, CAT 5, screw clamp connection, iris type spring, shieldable, with die-cast threaded ring
- 99 3729 995 04 - Male cable connector, screw clamp connection, with shielding ring, stainless steel version, shieldable
- 99 3721 810 04 - Male cable connector, CAT 5, crimp connection, shieldable
- 99 3729 820 04 - Male angled connector, CAT 5, screw clamp connection, with shielding ring, shieldable, with die-cast threaded ring
- 99 3727 820 04 - Male angled connector, CAT 5, screw clamp connection, iris type spring, shieldable, with die-cast threaded ring
- 99 3721 820 04 - Male angled connector, CAT 5, crimp connection, shieldable
- 77 4529 0000 50704-0200 - Male cable connector, PROFINET
- 77 4529 0000 50704-0500 - Male cable connector, PROFINET
- 77 4529 0000 50704-1000 - Male cable connector, PROFINET
- 09 5245 00 04 - Adapter lead-through for control cabinet, shielded
- 99 3787 810 08 - Male cable connector with X-coding, IDT connection, shieldable, CAT 6A
- 79 9722 020 08 - Connecting cable, 2 male cable connectors M12 x 1, shielded
- 79 9722 050 08 - Connecting cable, 2 male cable connectors M12 x 1, shielded
- 79 9722 100 08 - Connecting cable, 2 male cable connectors M12 x 1, shielded
- 79 9723 020 08 - Connecting cable, male cable connector M12 x 1 – RJ45 connector, shielded
- 79 9723 050 08 - Connecting cable, male cable connector M12 x 1 – RJ45 connector, shielded
- 79 9723 100 08 - Connecting cable, male cable connector M12 x 1 – RJ45 connector, shielded
- 79 9724 020 08 - Connecting cable, male cable connector M12 x 1 – female cable connector M12 x 1, shielded
- 79 9724 050 08 - Connecting cable, male cable connector M12 x 1 – female cable connector M12 x 1, shielded
- 79 9724 100 08 - Connecting cable, male cable connector M12 x 1 – female cable connector M12 x 1, shielded
- 99 0689 58 04 - Male angled connector, power, S-Coding
- 99 0685 19 03 - Male cable connector, power, S-Coding
- 99 0689 19 04 - Male cable connector, power, S-Coding
- 99 0689 32 04 - Male cable connector, power, S-Coding
- 77 0690 0689 50704-0200 - Connecting cable, male cable connector M12 x 1, S-Coding – female cable connector M12 x 1, S-Coding, PUR
- 77 0690 0689 50704-0500 - Connecting cable, male cable connector M12 x 1, S-Coding – female cable connector M12 x 1, S-Coding, PUR
- 77 0690 0689 50703-0200 - Connecting cable, male cable connector M12 x 1, S-Coding – female cable connector M12 x 1, S-Coding, PUR
- 77 0690 0689 50703-0500 - Connecting cable, male cable connector M12 x 1, S-Coding – female cable connector M12 x 1, S-Coding, PUR

Product description **Protection cap for male cable connector**

Order number **08 2424 010 000**

- 77 0689 0000 50704-0500 - Cable plug connector, power, S-Coding
- 77 0689 0000 50704-0200 - Cable plug connector, power, S-Coding
- 77 0689 0000 50703-0200 - Cable plug connector, power, S-Coding
- 77 0689 0000 50703-0500 - Cable plug connector, power, S-Coding
- 77 0687 0000 50704-0500 - Cable plug connector, power, S-Coding
- 77 0687 0000 50704-0200 - Cable plug connector, power, S-Coding
- 99 0699 29 05 - Male cable connector, K-Coding, screw terminal connection
- 77 0630 0629 50704-0200 - Connecting cable, male cable connector M12 x 1, T-Coding – female cable connector M12 x 1, T-Coding, PUR
- 77 0630 0629 50704-0500 - Connecting cable, male cable connector M12 x 1, T-Coding – female cable connector M12 x 1, T-Coding, PUR
- 99 0629 19 04 - Male cable connector, POWER, T-Coding
- 99 1631 814 04 - Male cable connector with T-coding, POWER, screw clamp connection, iris type spring, shieldable
- 99 1631 812 04 - Male cable connector with T-coding, POWER, screw clamp connection, iris type spring, shieldable
- 99 0629 58 04 - Male angled connector, POWER, T-Coding
- 77 0629 0000 50704-0200 - Male cable connector, moulded, T-Coding, PUR
- 77 0629 0000 50704-0500 - Male cable connector, moulded, T-Coding, PUR
- 77 0630 0000 50704-0200 - Female cable connector, moulded, T-Coding, PUR
- 77 0630 0000 50704-0500 - Female cable connector, moulded, T-Coding, PUR
- 77 0634 0000 50704-0500 - Female cable connector, angled, moulded, T-Coding, PUR
- 77 0634 0000 50704-0200 - Female cable connector, angled, moulded, T-Coding, PUR
- 77 0627 0000 50704-0200 - Male cable connector, angled, moulded, T-Coding, PUR
- 77 0627 0000 50704-0500 - Male cable connector, angled, moulded, T-Coding, PUR
- 99 0639 58 05 - M12-L male angled connector, 8-13 mm, not shielded, screw clamp, IP67, M12x1.0, for the power supply
- 99 0639 29 05 - Male cable connector, L-coding, with IDT connection, Power
- 99 2529 14 03 - Male cable connector M12 x 1
- 99 2529 24 03 - Male angled connector M12 x 1
- 99 0487 29 08 - Male cable connector, metal locking system, screw clamp connection, solder termination on 12 pol