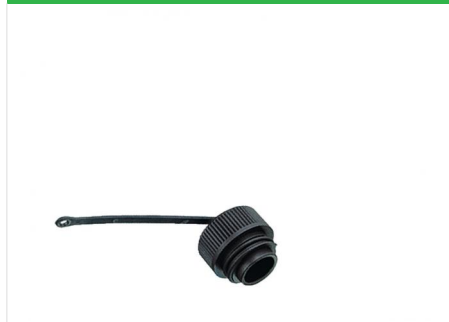
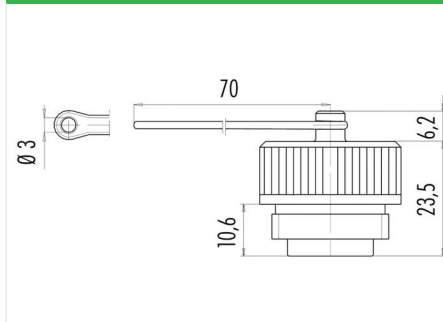


Product description	Protection cap for female panel mount connector
Order number	08 2302 000 000

Illustration



Scale drawing



Technical data

Temperature range	-40°C bis +85°C
Degree of protection	IP67
Material protective cap	PA
Strap material	PUR

Matching products

- 09 0212 00 04 - Female panel mount connector 3+PE, screw clamp termination
- 09 4224 00 04 - Female panel mount connector 3+PE, screw clamp termination, printed
- 09 0216 00 07 - Female panel mount connector 6+PE, solder termination
- 09 4228 00 07 - Female panel mount connector 6+PE, solder termination, printed
- 09 0220 00 07 - Female panel mount connector 6+PE, screw clamp termination
- 09 4220 00 07 - Female panel mount connector 6+PE, screw clamp termination, printed
- 09 0204 00 07 - Female panel mount connector 6+PE, crimp termination
- 09 4204 00 07 - Female panel mount connector 6+PE, crimp termination, printed
- 09 4220 150 07 - Female panel mount connector 6+PE, central locking, screw clamp termination
- 09 4224 150 04 - Female panel mount connector 3+PE, central locking, screw clamp termination