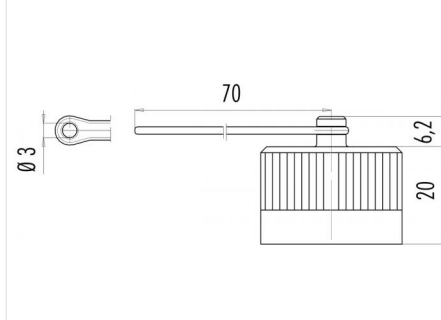


Product description	Protection cap for male panel mount connector
Order number	08 2301 000 000

## Illustration



## Scale drawing



## Technical data

Temperature range	-40°C bis +85°C
Degree of protection	IP67
Material protective cap	PA
Strap material	PUR
Material seal	NBR

## Matching products

- 09 0211 00 04 - Male panel mount connector 3+PE, screw clamp termination
- 09 4223 00 04 - Male panel mount connector 3+PE, screw clamp termination, printed
- 09 0215 00 07 - Male panel mount connector 6+PE, solder termination
- 09 4227 00 07 - Male panel mount connector 6+PE, solder termination
- 09 0219 00 07 - Male panel mount connector 6+PE, screw clamp termination
- 09 4219 00 07 - Male panel mount connector 6+PE, screw clamp termination, printed
- 09 0203 00 07 - Male panel mount connector 6+PE, crimp termination
- 09 4203 00 07 - Male panel mount connector 6+PE, crimp termination, printed
- 09 4219 150 07 - Male panel mount connector 6+PE, central locking, screw clamp termination
- 09 4223 150 04 - Male panel mount connector 3+PE, central locking, screw clamp termination