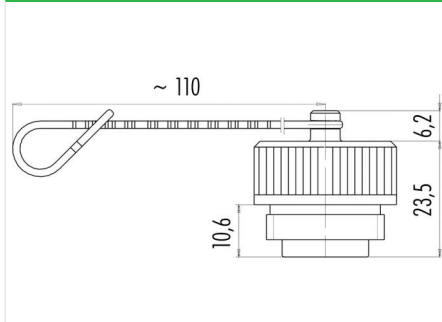


Product description **RD24 - Protective cap for cable socket; Series 692/693**
 Order number **08 2300 000 000**

Illustration



Scale drawing



Technical data

Temperature range	-40°C bis +85°C
Degree of protection	IP67
Material protective cap	PA
Strap material	PUR

Matching products

- 99 0210 00 04 - Female cable connector, PG 9
- 99 0214 00 07 - Female cable connector, PG 9
- 99 0218 00 07 - Female cable connector, PG 9
- 99 0202 00 07 - Female cable connector, PG 9
- 99 4222 00 04 - Female cable connector, PG 9, printed
- 99 4226 00 07 - Female cable connector, PG 9, printed
- 99 4218 00 07 - Female cable connector, PG 9, printed
- 99 4202 00 07 - Female cable connector, PG 9, printed
- 99 0210 110 04 - Female cable connector, PG 11
- 99 0214 110 07 - Female cable connector, PG 11
- 99 0218 110 07 - Female cable connector, PG 11
- 99 0202 110 07 - Female cable connector, PG 11
- 99 4222 110 04 - Female cable connector, PG 11, printed
- 99 4226 110 07 - Female cable connector, PG 11, printed
- 99 4218 110 07 - Female cable connector, PG 11, printed
- 99 4202 110 07 - Female cable connector, PG 11, printed
- 99 0210 15 04 - Female cable connector, PG 13,5
- 99 0214 15 07 - Female cable connector, PG 13,5
- 99 0218 15 07 - Female cable connector, PG 13,5
- 99 0202 15 07 - Female cable connector, PG 13,5
- 99 4222 14 04 - Female cable connector, PG 13,5, printed
- 99 4226 14 07 - Female cable connector, PG 13,5, printed
- 99 4218 14 07 - Female cable connector, PG 13,5, printed
- 99 4202 14 07 - Female cable connector, PG 13,5, printed
- 99 0210 160 04 - Female cable connector, PG 16
- 99 0214 160 07 - Female cable connector, PG 16
- 99 0218 160 07 - Female cable connector, PG 16
- 99 0202 160 07 - Female cable connector, PG 16
- 99 4222 160 04 - Female cable connector, PG 16, printed
- 99 4226 160 07 - Female cable connector, PG 16, printed
- 99 4218 160 07 - Female cable connector, PG 16, printed

Product description	RD24 - Protective cap for cable socket; Series 692/693
Order number	08 2300 000 000

99 4202 160 07 - Female cable connector, PG 16, printed
99 4222 300 04 - Female cable connector, vario cable outlet, cable outlet 7–17 mm
99 4202 300 07 - Female cable connector, vario cable outlet, cable outlet 7–17 mm
99 4226 300 07 - Female cable connector, vario cable outlet, cable outlet 7–17 mm
99 4218 300 07 - Female cable connector, vario cable outlet, cable outlet 7–17 mm
99 0210 70 04 - Female angled connector, PG 9
99 0214 70 07 - Female angled connector, PG 9
99 0218 70 07 - Female angled connector, PG 9
99 0202 70 07 - Female angled connector, PG 9
99 4222 70 04 - Female angled connector, PG 9, printed
99 4226 70 07 - Female angled connector, PG 9, printed
99 4218 70 07 - Female angled connector, PG 9, printed
99 4202 70 07 - Female angled connector, PG 9, printed
99 0210 210 04 - Female angled connector, PG 11
99 0214 210 07 - Female angled connector, PG 11
99 0218 210 07 - Female angled connector, PG 11
99 0202 210 07 - Female angled connector, PG 11
99 4222 210 04 - Female angled connector, PG 11, printed
99 4226 210 07 - Female angled connector, PG 11, printed
99 4218 210 07 - Female angled connector, PG 11, printed
99 4202 210 07 - Female angled connector, PG 11, printed
99 0210 215 04 - Female angled connector, PG 13,5
99 0214 215 07 - Female angled connector, PG 13,5
99 0218 215 07 - Female angled connector, PG 13,5
99 0202 215 07 - Female angled connector, PG 13,5
99 4222 215 04 - Female angled connector, PG 13,5, printed
99 4226 215 07 - Female angled connector, PG 13,5, printed
99 4218 215 07 - Female angled connector, PG 13,5, printed
99 4202 215 07 - Female angled connector, PG 13,5, printed
79 0232 20 04 - Female cable connector
79 0236 20 07 - Female cable connector
79 0234 20 04 - Female angled connector
79 0238 20 07 - Female angled connector