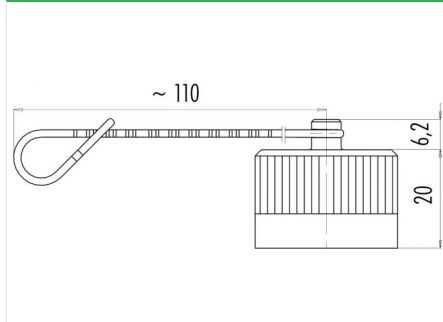


Product description **RD24 - Protective cap for cable connector; series 692/693**
 Order number **08 2299 000 000**

Illustration



Scale drawing



Technical data

Temperature range	-40°C bis +85°C
Degree of protection	IP67
Material protective cap	PA
Strap material	PUR
Material seal	NBR

Matching products

- 99 0209 00 04 - Male cable connector, PG 9
- 99 0213 00 07 - Male cable connector, PG 9
- 99 0217 00 07 - Male cable connector, PG 9
- 99 0201 00 07 - Male cable connector, PG 9
- 99 4221 00 04 - Male cable connector, PG 9, printed
- 99 4225 00 07 - Male cable connector, PG 9, printed
- 99 4217 00 07 - Male cable connector, PG 9, printed
- 99 4201 00 07 - Male cable connector, PG 9, printed
- 99 0209 110 04 - Male cable connector, PG 11
- 99 0213 110 07 - Male cable connector, PG 11
- 99 0217 110 07 - Male cable connector, PG 11
- 99 0201 110 07 - Male cable connector, PG 11
- 99 4221 110 04 - Male cable connector, PG 11, printed
- 99 4225 110 07 - Male cable connector, PG 11, printed
- 99 4217 110 07 - Male cable connector, PG 11, printed
- 99 4201 110 07 - Male cable connector, PG 11, printed
- 99 0209 15 04 - Male cable connector, PG 13,5, printed
- 99 0213 15 07 - Male cable connector, PG 13,5, printed
- 99 0217 15 07 - Male cable connector, PG 13,5, printed
- 99 0201 15 07 - Male cable connector, PG 13,5, printed
- 99 4221 14 04 - Male cable connector, PG 13,5, printed
- 99 4225 14 07 - Male cable connector, PG 13,5, printed
- 99 4217 14 07 - Male cable connector, PG 13,5, printed
- 99 4201 14 07 - Male cable connector, PG 13,5, printed
- 99 0209 160 04 - Male cable connector, PG 16
- 99 0213 160 07 - Male cable connector, PG 16
- 99 0217 160 07 - Male cable connector, PG 16
- 99 0201 160 07 - Male cable connector, PG 16
- 99 4221 160 04 - Male cable connector, PG 16, printed
- 99 4225 160 07 - Male cable connector, PG 16, printed

Product description	RD24 - Protective cap for cable connector; series 692/693
Order number	08 2299 000 000

99 4217 160 07 - Male cable connector, PG 16, printed
99 4201 160 07 - Male cable connector, PG 16, printed
99 4221 300 04 - Male cable connector, vario cable outlet, cable outlet 7–17 mm
99 4225 300 07 - Male cable connector, vario cable outlet, cable outlet 7–17 mm
99 4201 300 07 - Male cable connector, vario cable outlet, cable outlet 7–17 mm
99 4217 300 07 - Male cable connector, vario cable outlet, cable outlet 7–17 mm
99 0209 70 04 - Male angled connector, PG 9
99 0213 70 07 - Male angled connector, PG 9
99 0217 70 07 - Male angled connector, PG 9
99 0201 70 07 - Male angled connector, PG 9
99 4221 70 04 - Male angled connector, PG 9, printed
99 4225 70 07 - Male angled connector, PG 9, printed
99 4217 70 07 - Male angled connector, PG 9, printed
99 4201 70 07 - Male angled connector, PG 9, printed
99 0209 210 04 - Male angled connector, PG 11
99 0213 210 07 - Male angled connector, PG 11
99 0217 210 07 - Male angled connector, PG 11
99 0201 210 07 - Male angled connector, PG 11
99 4221 210 04 - Male angled connector, PG 11, printed
99 4225 210 07 - Male angled connector, PG 11, printed
99 4217 210 07 - Male angled connector, PG 11, printed
99 4201 210 07 - Male angled connector, PG 11, printed
99 0209 215 04 - Male angled connector, PG 13,5
99 0213 215 07 - Male angled connector, PG 13,5
99 0217 215 07 - Male angled connector, PG 13,5
99 0201 215 07 - Male angled connector, PG 13,5
99 4221 215 04 - Male angled connector, PG 13,5, printed
99 4225 215 07 - Male angled connector, PG 13,5, printed
99 4217 215 07 - Male angled connector, PG 13,5, printed
99 4201 215 07 - Male angled connector, PG 13,5, printed
79 0231 20 04 - Male cable connector
79 0235 20 07 - Male cable connector
79 0233 20 04 - Male angled connector
79 0237 20 07 - Male angled connector