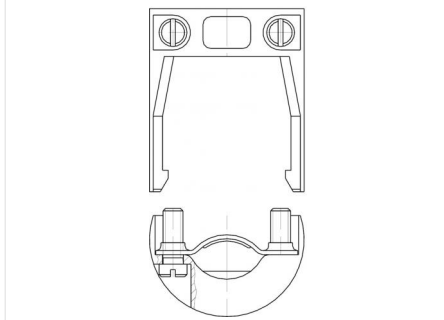


Product description	RD24 - Strain relief; Series 692/693
Order number	08 0628 000 008

Illustration



Scale drawing



Technical data

Matching products

- 99 0209 00 04 - Male cable connector, PG 9
- 99 0213 00 07 - Male cable connector, PG 9
- 99 0217 00 07 - Male cable connector, PG 9
- 99 0201 00 07 - Male cable connector, PG 9
- 99 4217 00 07 - Male cable connector, PG 9, printed
- 99 4201 00 07 - Male cable connector, PG 9, printed
- 99 0209 110 04 - Male cable connector, PG 11
- 99 0213 110 07 - Male cable connector, PG 11
- 99 0217 110 07 - Male cable connector, PG 11
- 99 0201 110 07 - Male cable connector, PG 11
- 99 4221 110 04 - Male cable connector, PG 11, printed
- 99 4225 110 07 - Male cable connector, PG 11, printed
- 99 4217 110 07 - Male cable connector, PG 11, printed
- 99 4201 110 07 - Male cable connector, PG 11, printed
- 99 0209 15 04 - Male cable connector, PG 13,5, printed
- 99 0213 15 07 - Male cable connector, PG 13,5, printed
- 99 0217 15 07 - Male cable connector, PG 13,5, printed
- 99 0201 15 07 - Male cable connector, PG 13,5, printed
- 99 4221 14 04 - Male cable connector, PG 13,5, printed
- 99 4225 14 07 - Male cable connector, PG 13,5, printed
- 99 4217 14 07 - Male cable connector, PG 13,5, printed
- 99 4201 14 07 - Male cable connector, PG 13,5, printed
- 99 0209 160 04 - Male cable connector, PG 16
- 99 0213 160 07 - Male cable connector, PG 16
- 99 0217 160 07 - Male cable connector, PG 16
- 99 0201 160 07 - Male cable connector, PG 16
- 99 4221 160 04 - Male cable connector, PG 16, printed
- 99 4225 160 07 - Male cable connector, PG 16, printed
- 99 4217 160 07 - Male cable connector, PG 16, printed
- 99 4201 160 07 - Male cable connector, PG 16, printed
- 99 4221 300 04 - Male cable connector, vario cable outlet, cable outlet 7-17 mm
- 99 4225 300 07 - Male cable connector, vario cable outlet, cable outlet 7-17 mm
- 99 4201 300 07 - Male cable connector, vario cable outlet, cable outlet 7-17 mm
- 99 4217 300 07 - Male cable connector, vario cable outlet, cable outlet 7-17 mm
- 99 0209 70 04 - Male angled connector, PG 9
- 99 0213 70 07 - Male angled connector, PG 9

Product description	RD24 - Strain relief; Series 692/693
Order number	08 0628 000 008

- 99 0217 70 07 - Male angled connector, PG 9
- 99 0201 70 07 - Male angled connector, PG 9
- 99 4221 70 04 - Male angled connector, PG 9, printed
- 99 4225 70 07 - Male angled connector, PG 9, printed
- 99 4217 70 07 - Male angled connector, PG 9, printed
- 99 4201 70 07 - Male angled connector, PG 9, printed
- 99 0209 210 04 - Male angled connector, PG 11
- 99 0213 210 07 - Male angled connector, PG 11
- 99 0217 210 07 - Male angled connector, PG 11
- 99 0201 210 07 - Male angled connector, PG 11
- 99 4221 210 04 - Male angled connector, PG 11, printed
- 99 4225 210 07 - Male angled connector, PG 11, printed
- 99 4217 210 07 - Male angled connector, PG 11, printed
- 99 4201 210 07 - Male angled connector, PG 11, printed
- 99 0209 215 04 - Male angled connector, PG 13,5
- 99 0213 215 07 - Male angled connector, PG 13,5
- 99 0217 215 07 - Male angled connector, PG 13,5
- 99 0201 215 07 - Male angled connector, PG 13,5
- 99 4221 215 04 - Male angled connector, PG 13,5, printed
- 99 4225 215 07 - Male angled connector, PG 13,5, printed
- 99 4217 215 07 - Male angled connector, PG 13,5, printed
- 99 4201 215 07 - Male angled connector, PG 13,5, printed
- 99 0210 00 04 - Female cable connector, PG 9
- 99 0214 00 07 - Female cable connector, PG 9
- 99 0218 00 07 - Female cable connector, PG 9
- 99 0202 00 07 - Female cable connector, PG 9
- 99 4218 00 07 - Female cable connector, PG 9, printed
- 99 4202 00 07 - Female cable connector, PG 9, printed
- 99 0210 110 04 - Female cable connector, PG 11
- 99 0214 110 07 - Female cable connector, PG 11
- 99 0218 110 07 - Female cable connector, PG 11
- 99 0202 110 07 - Female cable connector, PG 11
- 99 4222 110 04 - Female cable connector, PG 11, printed
- 99 4226 110 07 - Female cable connector, PG 11, printed
- 99 4218 110 07 - Female cable connector, PG 11, printed
- 99 4202 110 07 - Female cable connector, PG 11, printed
- 99 0210 15 04 - Female cable connector, PG 13,5
- 99 0214 15 07 - Female cable connector, PG 13,5
- 99 0218 15 07 - Female cable connector, PG 13,5
- 99 0202 15 07 - Female cable connector, PG 13,5
- 99 4222 14 04 - Female cable connector, PG 13,5, printed
- 99 4226 14 07 - Female cable connector, PG 13,5, printed
- 99 4218 14 07 - Female cable connector, PG 13,5, printed
- 99 4202 14 07 - Female cable connector, PG 13,5, printed
- 99 0210 160 04 - Female cable connector, PG 16
- 99 0214 160 07 - Female cable connector, PG 16
- 99 0218 160 07 - Female cable connector, PG 16
- 99 0202 160 07 - Female cable connector, PG 16
- 99 4222 160 04 - Female cable connector, PG 16, printed
- 99 4226 160 07 - Female cable connector, PG 16, printed
- 99 4218 160 07 - Female cable connector, PG 16, printed
- 99 4202 160 07 - Female cable connector, PG 16, printed
- 99 4222 300 04 - Female cable connector, vario cable outlet, cable outlet 7-17 mm
- 99 4202 300 07 - Female cable connector, vario cable outlet, cable outlet 7-17 mm
- 99 4226 300 07 - Female cable connector, vario cable outlet, cable outlet 7-17 mm
- 99 4218 300 07 - Female cable connector, vario cable outlet, cable outlet 7-17 mm
- 99 0210 70 04 - Female angled connector, PG 9
- 99 0214 70 07 - Female angled connector, PG 9
- 99 0218 70 07 - Female angled connector, PG 9
- 99 0202 70 07 - Female angled connector, PG 9
- 99 4222 70 04 - Female angled connector, PG 9, printed
- 99 4226 70 07 - Female angled connector, PG 9, printed
- 99 4218 70 07 - Female angled connector, PG 9, printed
- 99 4202 70 07 - Female angled connector, PG 9, printed
- 99 0210 210 04 - Female angled connector, PG 11
- 99 0214 210 07 - Female angled connector, PG 11
- 99 0218 210 07 - Female angled connector, PG 11
- 99 0202 210 07 - Female angled connector, PG 11
- 99 4222 210 04 - Female angled connector, PG 11, printed
- 99 4226 210 07 - Female angled connector, PG 11, printed

Product description	RD24 - Strain relief; Series 692/693
Order number	08 0628 000 008

99 4218 210 07 - Female angled connector, PG 11, printed
99 4202 210 07 - Female angled connector, PG 11, printed
99 0210 215 04 - Female angled connector, PG 13,5
99 0214 215 07 - Female angled connector, PG 13,5
99 0218 215 07 - Female angled connector, PG 13,5
99 0202 215 07 - Female angled connector, PG 13,5
99 4222 215 04 - Female angled connector, PG 13,5, printed
99 4226 215 07 - Female angled connector, PG 13,5, printed
99 4218 215 07 - Female angled connector, PG 13,5, printed
99 4202 215 07 - Female angled connector, PG 13,5, printed