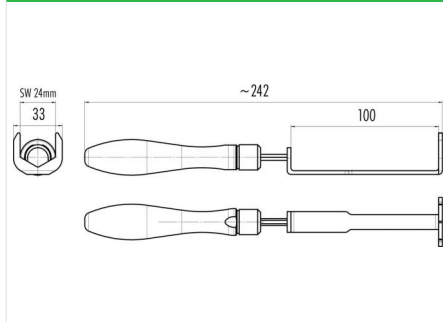


Product description	7/8" - installation spanner with torque limiter 1.5 Nm, SW 24 mm; Series 820/870
Order number	07 0082 000

Illustration



Scale drawing



Technical data

Width across flat	24 mm
-------------------	-------

Matching products

- 99 1487 814 08 - Male cable connector, screw clamp connection, with shielding ring, with die-cast threaded ring, solder termination on 12 pol
- 99 0487 52 08 - Male angled connector, metal locking system, screw clamp connection, solder termination on 12 pol
- 99 1487 822 08 - Male angled connector, screw clamp connection, with shielding ring, with die-cast threaded ring, shieldable, solder termination on 12 pol
- 99 0486 52 08 - Female angled connector, metal locking system, screw clamp connection, solder termination on 12 pol
- 99 1486 822 08 - Female angled connector, screw clamp connection, with shielding ring, shieldable, solder termination on 12 pol, with die-cast threaded ring
- 99 0436 32 05 - Female cable connector with A-coding, Power
- 72 6300 230 04 - Ready to connect 4-way interface box with equipment-on LED (green) and functional indicator (yellow), M12 Push-Pull-locking
- 72 6300 250 04 - Ready to connect 4-way interface box with equipment-on LED (green) and functional indicator (yellow), M12 Push-Pull-locking
- 72 6300 300 04 - Ready to connect 4-way interface box with equipment-on LED (green) and functional indicator (yellow), M12 Push-Pull-locking
- 72 6310 230 04 - Ready to connect 4-way interface box with equipment-on LED (green) and functional indicator (yellow), M12 Push-Pull-locking
- 72 6310 250 04 - Ready to connect 4-way interface box with equipment-on LED (green) and functional indicator (yellow), M12 Push-Pull-locking
- 72 6310 300 04 - Ready to connect 4-way interface box with equipment-on LED (green) and functional indicator (yellow), M12 Push-Pull-locking
- 72 6302 230 08 - Ready to connect 8-way interface box with equipment-on LED (green) and functional indicator (yellow), M12 Push-Pull-locking
- 72 6302 250 08 - Ready to connect 8-way interface box with equipment-on LED (green) and functional indicator (yellow), M12 Push-Pull-locking
- 72 6302 300 08 - Ready to connect 8-way interface box with equipment-on LED (green) and functional indicator (yellow), M12 Push-Pull-locking
- 72 6312 230 08 - Ready to connect 8-way interface box with equipment-on LED (green) and functional indicator (yellow), M12 Push-Pull-locking
- 72 6312 250 08 - Ready to connect 8-way interface box with equipment-on LED (green) and functional indicator (yellow), M12 Push-Pull-locking
- 72 6312 300 08 - Ready to connect 8-way interface box with equipment-on LED (green) and functional indicator (yellow), M12 Push-Pull-locking
- 72 6303 200 04 - Pluggable 4-way interface box with 12/19 pol. M23 connector, equipment-on LED (green) and functional indicator (yellow), M12 Push-Pull-locking
- 72 6313 200 04 - Pluggable 4-way interface box with 12/19 pol. M23 connector, equipment-on LED (green) and functional indicator (yellow), M12 Push-Pull-locking
- 72 6305 200 08 - Pluggable 8-way interface box with 12/19 pol. M23 connector, equipment-on LED (green) and functional indicator (yellow), M12 Push-Pull-locking
- 72 6315 200 08 - Pluggable 8-way interface box with 12/19 pol. M23 connector, equipment-on LED (green) and functional indicator (yellow), M12 Push-Pull-locking
- 72 6306 200 04 - 4-way interface box for assembly, pluggable hood, screw termination, equipment-on LED (green) and functional indicator (yellow), M12 Push-Pull-locking
- 72 6316 200 04 - 4-way interface box for assembly, pluggable hood, screw termination, equipment-on LED (green) and functional indicator (yellow), M12 Push-Pull-locking
- 72 6308 200 08 - 8-way interface box for assembly, pluggable hood, screw termination, equipment-on LED (green) and functional indicator (yellow), M12 Push-Pull-locking

Product description	7/8" - installation spanner with torque limiter 1.5 Nm, SW 24 mm; Series 820/870
Order number	07 0082 000

72 6318 200 08 - 8-way interface box for assembly, pluggable hood, screw termination, equipment-on LED (green) and functional indicator (yellow), M12 Push-Pull-locking

- 99 2441 12 03 - Male cable connector with die-cast threaded ring
- 99 2441 32 03 - Male cable connector with die-cast threaded ring
- 99 2443 12 04 - Male cable connector with die-cast threaded ring
- 99 2443 32 04 - Male cable connector with die-cast threaded ring
- 99 2445 12 05 - Male cable connector with die-cast threaded ring
- 99 2445 32 05 - Male cable connector with die-cast threaded ring
- 99 2445 33 05 - Male cable connector with die-cast threaded ring
- 99 2441 21 03 - Male cable connector with die-cast threaded ring
- 99 2441 42 03 - Male cable connector with die-cast threaded ring
- 99 2443 21 04 - Male cable connector with die-cast threaded ring
- 99 2443 42 04 - Male cable connector with die-cast threaded ring
- 99 2445 21 05 - Male cable connector with die-cast threaded ring
- 99 2445 42 05 - Male cable connector with die-cast threaded ring
- 99 2445 23 05 - Male cable connector with die-cast threaded ring
- 99 2445 43 05 - Male cable connector with die-cast threaded ring
- 99 2441 282 03 - Male cable connector, stainless steel locking ring
- 99 2443 282 04 - Male cable connector, stainless steel locking ring
- 99 2445 282 05 - Male cable connector, stainless steel locking ring
- 99 2441 52 03 - Male angled connector with die-cast threaded ring
- 99 2443 52 04 - Male angled connector with die-cast threaded ring
- 99 2445 52 05 - Male angled connector with die-cast threaded ring
- 99 2441 62 03 - Male angled connector with die-cast threaded ring
- 99 2441 72 03 - Male angled connector with die-cast threaded ring
- 99 2443 62 04 - Male angled connector with die-cast threaded ring
- 99 2443 72 04 - Male angled connector with die-cast threaded ring
- 99 2445 62 05 - Male angled connector with die-cast threaded ring
- 99 2445 72 05 - Male angled connector with die-cast threaded ring
- 99 2445 63 05 - Male angled connector with die-cast threaded ring
- 99 2445 73 05 - Male angled connector with die-cast threaded ring
- 99 2440 12 03 - Female cable connector with die-cast threaded ring
- 99 2440 32 03 - Female cable connector with die-cast threaded ring
- 99 2442 12 04 - Female cable connector with die-cast threaded ring
- 99 2442 32 04 - Female cable connector with die-cast threaded ring
- 99 2444 12 05 - Female cable connector with die-cast threaded ring
- 99 2444 32 05 - Female cable connector with die-cast threaded ring
- 99 2444 33 05 - Female cable connector with die-cast threaded ring
- 99 2440 21 03 - Female cable connector with die-cast threaded ring
- 99 2440 42 03 - Female cable connector with die-cast threaded ring
- 99 2442 21 04 - Female cable connector with die-cast threaded ring
- 99 2442 42 04 - Female cable connector with die-cast threaded ring
- 99 2444 21 05 - Female cable connector with die-cast threaded ring
- 99 2444 42 05 - Female cable connector with die-cast threaded ring
- 99 2444 23 05 - Female cable connector with die-cast threaded ring
- 99 2444 43 05 - Female cable connector with die-cast threaded ring
- 99 2440 282 03 - Female cable connector, stainless steel locking ring
- 99 2442 282 04 - Female cable connector, stainless steel locking ring
- 99 2444 282 05 - Female cable connector, stainless steel locking ring
- 99 2440 52 03 - Female angled connector with die-cast threaded ring
- 99 2442 52 04 - Female angled connector with die-cast threaded ring
- 99 2444 52 05 - Female angled connector with die-cast threaded ring
- 99 2440 62 03 - Female angled connector with die-cast threaded ring
- 99 2440 72 03 - Female angled connector with die-cast threaded ring
- 99 2442 62 04 - Female angled connector with die-cast threaded ring
- 99 2442 72 04 - Female angled connector with die-cast threaded ring
- 99 2444 62 05 - Female angled connector with die-cast threaded ring
- 99 2444 72 05 - Female angled connector with die-cast threaded ring
- 99 2444 63 05 - Female angled connector with die-cast threaded ring
- 99 2444 73 05 - Female angled connector with die-cast threaded ring
- 77 1429 0000 50003-0200 - Male cable connector
- 77 1429 0000 50003-0500 - Male cable connector
- 77 1429 0000 50003-1000 - Male cable connector
- 77 1429 0000 50004-0200 - Male cable connector
- 77 1429 0000 50004-0500 - Male cable connector
- 77 1429 0000 50004-1000 - Male cable connector
- 77 1429 0000 50005-0200 - Male cable connector
- 77 1429 0000 50005-0500 - Male cable connector
- 77 1429 0000 50005-1000 - Male cable connector
- 77 1427 0000 50003-0200 - Male angled connector

Product description	7/8" - installation spanner with torque limiter 1.5 Nm, SW 24 mm; Series 820/870
Order number	07 0082 000

- 77 1427 0000 50003-0500 - Male angled connector
- 77 1427 0000 50003-1000 - Male angled connector
- 77 1427 0000 50004-0200 - Male angled connector
- 77 1427 0000 50004-0500 - Male angled connector
- 77 1427 0000 50004-1000 - Male angled connector
- 77 1427 0000 50005-0200 - Male angled connector
- 77 1427 0000 50005-0500 - Male angled connector
- 77 1427 0000 50005-1000 - Male angled connector
- 77 1430 0000 50003-0200 - Female cable connector
- 77 1430 0000 50003-0500 - Female cable connector
- 77 1430 0000 50003-1000 - Female cable connector
- 77 1430 0000 50004-0200 - Female cable connector
- 77 1430 0000 50004-0500 - Female cable connector
- 77 1430 0000 50004-1000 - Female cable connector
- 77 1430 0000 50005-0200 - Female cable connector
- 77 1430 0000 50005-0500 - Female cable connector
- 77 1430 0000 50005-1000 - Female cable connector
- 77 1434 0000 50003-0200 - Female angled connector
- 77 1434 0000 50003-0500 - Female angled connector
- 77 1434 0000 50003-1000 - Female angled connector
- 77 1434 0000 50004-0200 - Female angled connector
- 77 1434 0000 50004-0500 - Female angled connector
- 77 1434 0000 50004-1000 - Female angled connector
- 77 1434 0000 50005-0200 - Female angled connector
- 77 1434 0000 50005-0500 - Female angled connector
- 77 1434 0000 50005-1000 - Female angled connector
- 09 2447 310 03 - Male panel mount connector with single wires
- 09 2447 300 03 - Male panel mount connector with single wires
- 09 2447 320 03 - Male panel mount connector with single wires
- 09 2449 310 04 - Male panel mount connector with single wires
- 09 2449 300 04 - Male panel mount connector with single wires
- 09 2449 320 04 - Male panel mount connector with single wires
- 09 2451 310 05 - Male panel mount connector with single wires
- 09 2451 300 05 - Male panel mount connector with single wires
- 09 2451 320 05 - Male panel mount connector with single wires
- 09 2447 100 03 - Male panel mount connector, front fastened, with single wires
- 09 2449 100 04 - Male panel mount connector, front fastened, with single wires
- 09 2451 100 05 - Male panel mount connector, front fastened, with single wires
- 09 2447 330 03 - Male panel mount connector, dip solder
- 09 2449 330 04 - Male panel mount connector, dip solder
- 09 2451 330 05 - Male panel mount connector, dip solder
- 09 2447 180 03 - Male panel mount connector, front fastened, dip solder
- 09 2449 180 04 - Male panel mount connector, front fastened, dip solder
- 09 2451 180 05 - Male panel mount connector, front fastened, dip solder
- 09 2446 310 03 - Female panel mount connector with single wires
- 09 2446 300 03 - Female panel mount connector with single wires
- 09 2446 320 03 - Female panel mount connector with single wires
- 09 2448 310 04 - Female panel mount connector with single wires
- 09 2448 300 04 - Female panel mount connector with single wires
- 09 2448 320 04 - Female panel mount connector with single wires
- 09 2450 310 05 - Female panel mount connector with single wires
- 09 2450 300 05 - Female panel mount connector with single wires
- 09 2450 320 05 - Female panel mount connector with single wires
- 09 2446 100 03 - Female panel mount connector, front fastened, with single wires
- 09 2448 100 04 - Female panel mount connector, front fastened, with single wires
- 09 2450 100 05 - Female panel mount connector, front fastened, with single wires
- 09 2446 330 03 - Female panel mount connector, dip solder
- 09 2448 330 04 - Female panel mount connector, dip solder
- 09 2450 330 05 - Female panel mount connector, dip solder
- 09 2446 180 03 - Female panel mount connector, front fastened, dip solder
- 09 2448 180 04 - Female panel mount connector, front fastened, dip solder
- 09 2450 180 05 - Female panel mount connector, front fastened, dip solder
- 09 2473 100 03 - Splitter, 7/8", with die-cast threaded ring, pin/socket 7/8"
- 09 2474 100 04 - Splitter, 7/8", with die-cast threaded ring, pin/socket 7/8"
- 09 2475 100 05 - Splitter, 7/8", with die-cast threaded ring, pin/socket 7/8"
- 09 5246 00 04 - Adapter lead-through for control cabinet, female/female, shielded
- 86 0536 1000 00404 - Female panel mount connector, front fastened, dip solder
- 09 5245 00 04 - Adapter lead-through for control cabinet, shielded