

Product data sheet

Miniature connectors

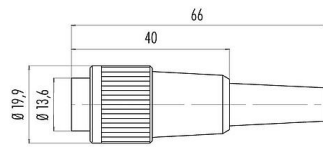


Product description	Bayonet Male cable connector, Contacts: 14, 3.0-6.0 mm, unshielded, solder, IP40
Area	Bayonet IP40
Part no.	99 0653 00 14

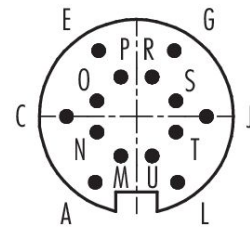
Illustration



Scale drawing



Contact arrangement (Plug-in side)



You can find the assembly instructions on the next page.

Technical data

General features

Part no.	99 0653 00 14
Connector design	Male cable connector
Version	Connector pin straight
Connector locking system	Bayonet
Termination	solder
Degree of protection	IP40
Cross-sectional area	max. 0.25 mm ² / AWG 24
Cable outlet	3.0-6.0 mm
Temperature range from/to	-40 °C / 85 °C
Mechanical operation	> 500 Mating cycles
Weight (g)	9.71
Customs tariff number	85369010
Country of Origin	DE

Electrical parameters

Rated voltage	60 V
Rated impulse voltage	500 V
Rated current	3,0 A
Insulation resistance	≥ 10 ¹⁰ Ω
Pollution degree	1
Overvoltage category	I
Insulating material group	III
EMC compliance	unshielded

Material

Housing material	PA
------------------	----

Product data sheet

Miniature connectors



Product description **Bayonet Male cable connector, Contacts: 14, 3.0-6.0 mm, unshielded, solder, IP40**

Area **Bayonet IP40**
Part no. **99 0653 00 14**

Contact body material	PBT (UL94 V-0)
Contact material	CuZn (brass)
Contact plating	Au (gold)
REACH SVHC	CAS 7439-92-1 (Lead)
SCIP number	f5ed7c5c-55dd-42de-8861-041fd4694ec9

Classifications

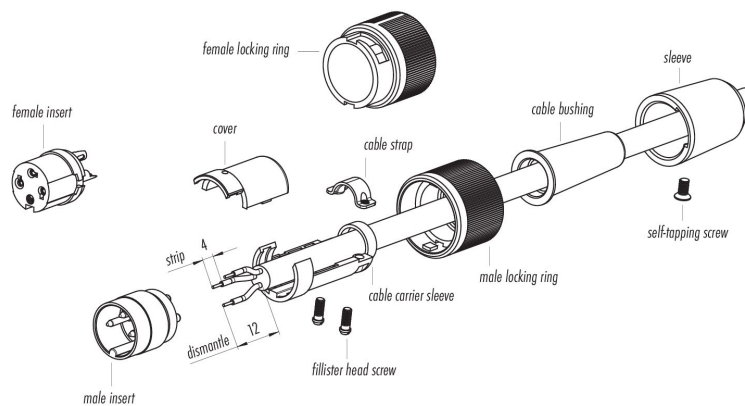
eCl@ss 11.1	27-44-01-02
ETIM 9.0	EC002635

Declarations of conformity

Low Voltage Directive	2014/35/EU (EN 60204-1:2018;EN 60529:1991)
-----------------------	--

Assembly instructions

1. Bead cable carrier sleeve, locking ring, cable bushing and sleeve to cable.
2. Dismantle cable to 12 mm length.
3. Strip and solder single wires.
4. Place the cover on the cable carrier sleeve and fasten the cable strap with fillister head screws.
5. Push assembled part with contact insert into the sleeve and fasten with self-tapping screw.



Product description	Bayonet Male cable connector, Contacts: 14, 3.0-6.0 mm, unshielded, solder, IP40
Area	Bayonet IP40
Part no.	99 0653 00 14

Security notices

The connector must not be plugged or unplugged under load. Non-observance and improper use can result in personal injury.

The connectors have been developed for applications in plant engineering, control and electrical equipment construction. The user is responsible for checking whether the connectors can also be used in other areas of application.

To protect against unintentional opening of the connector, the thread between the housing and the connector head must be secured with a suitable cyanoacrylate adhesive when used in circuits with voltages dangerous to the touch. This does not apply to connectors used in SELV and PELV circuits according to IEC 61140 (EN 61140, VDE 0140-1).

Connectors which are used in circuits with voltages dangerous to the touch may only be installed and used by, or under the supervision of, persons with electrical engineering training, taking into account the applicable regulations and standards.

The user must take suitable safety precautions to ensure that the connector cannot be accidentally disconnected.

The plug connector is not suitable for mains voltages. Please observe the pollution degree and the overvoltage category. For further information, please refer to the download center "Technical Information".